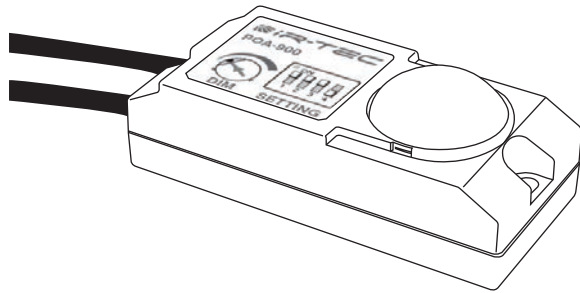




POA-900 series

Under Cabinet Occupancy Sensor

INSTALLATION INSTRUCTIONS



WARRANTY

IR-TEC International Ltd. warrants this product to be free of defects in materials or workmanship for a period of five years from date of shipment. There are no obligations or liabilities on the part of IR-TEC International Ltd. for consequential damages arising out or in connection with the use or performance of this product or other indirect damages with respect to loss of property, revenue, or profit, or cost of removal, installation or reinstallation.

CAUTION & WARNING

- Open Type Photoelectric Switches

AVERTISSEMENT & PRUDENCE

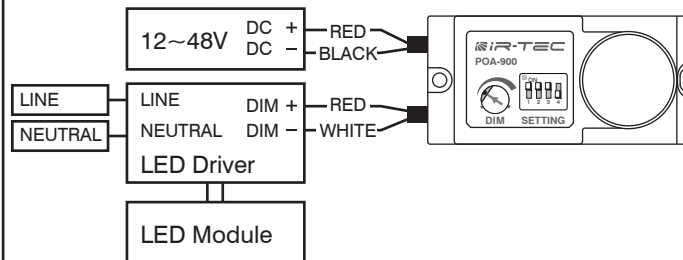
- Ouvrir Type commutateurs optoélectroniques.

OVERVIEW

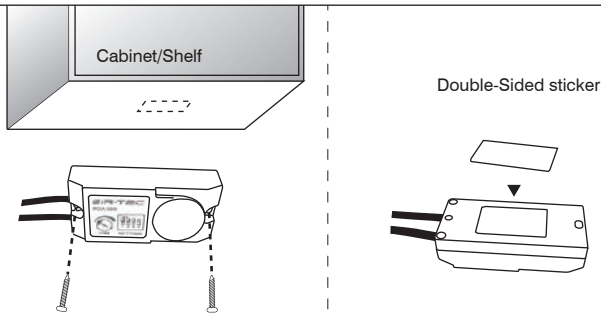
The POA-900 series is a low voltage occupancy sensor with 0-10V output designed for LED lighting control. The sensor employs a cutting edge pyroelectric infrared sensor and a compact dome lens to provide excellent occupancy sensing capability. Four different control modes and light-off delays are available for selection via DIP switch setting. Low dim level can be easily adjusted to a desired level.

Thanks to its low profile design, the POA-900 sensor can be easily mounted under a cabinet or shelf to provide energy efficient, occupancy sensing based, on/off switching or bi-level dimming LED lighting control.

WIRING DIAGRAM

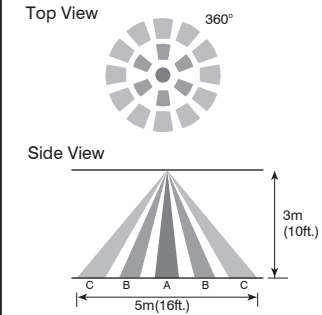


INSTALLATION

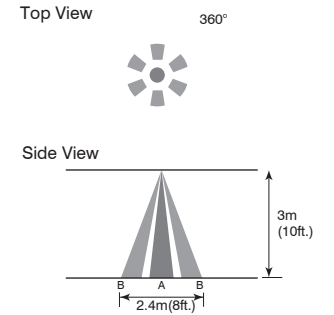


DETECTION PATTERN

Standard



Range with mask cap on



SPECIFICATIONS

Power supply	12-48 VDC
Current drain	<2.5 mA @48V, load OFF
Control output	0-10V
Sensing technology	Passive Infrared (PIR)
Day/Night threshold	Day: >50 lux, night: <20 lux
Low dim level	10-60%
Warm-up time	Approx. 90 sec.
Detection coverage	2X of mounting height
Mounting height	0.6~3 m (2~10 ft)
Detection zones	38 zones
Cable length	Approx. 10 cm (4")
Detectable speed	0.15~3 m/sec (0.5~10 ft/sec)
Op. temperature	-10°C~55°C (14°F~131°F)
Dimensions	66 x 30 x 24 mm (2.6"x 1.2"x 0.95")

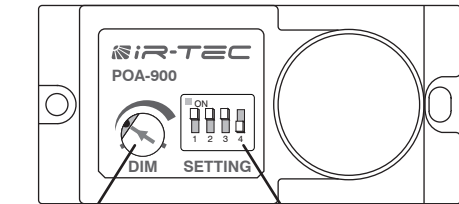


www.irtec.com P/N: 058-90000-001 Printed in Taiwan
 This product may be covered by one or more U.S. patents or patent applications.
 Please visit www.irtec.com for more information.



SENSOR SETTINGS

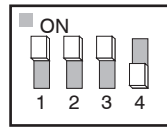
The POA-900 provides 4 different control modes and 4 different light-off delay time settings via DIP switch. The low-dim level can be easily adjusted and displayed by rotating the potentiometer.



DIM

(30%)

(Factory set)



SW1 & 2 (OSLATO MODE)
SW3 & 4 (5 minutes)

Low DIM Level - Potentiometer

The POA-900 series offers low dim level setting from 10% to 60% via potentiometer. The LED light will be dimmed under vacancy when condition of selected control mode applies. To adjust to the required DIM level, rotate the potentiometer clockwise/counterclockwise to increase/decrease the LED output. After adjustment, sensor will switch the control back to normal after 10 seconds.

Control Mode - SW1 & 2

The combination of DIP switch #1 and #2 determines the control mode.

OSLATO : Occupancy Sensing at Low Ambient with Time-Off

OSLA : Occupancy Sensing at Low Ambient

OSO : Occupancy Sensing Only

ON/OFF : ON-OFF Switching

Mode	Control (POA-900)	
OSLATO ON-ON	<ol style="list-style-type: none"> Light off while ambient light is higher than 50 lux. While ambient light is lower than 20 lux, light stays off under vacancy. Turn the light to full-ON per OFF Delay Time set under occupancy. When delay time elapse, dim the light to low level as DIM set for 10 minutes as Time Off delay. Turn the light to full-ON per OFF Delay Time set if sensor detects occupancy during Time Off. Turn the light off if no occupancy detected during Time Off delay. 	
OSLA ON-OFF	<ol style="list-style-type: none"> Light off while ambient light is higher than 50 lux. While ambient light is lower than 20 lux, dim the light to low level as DIM set under vacancy. Turn the light to full-ON per OFF Delay Time set under occupancy. 	
OSO OFF-ON	<ol style="list-style-type: none"> Ambient light is disabled with this mode. Dim the light to low level as DIM set all time under vacancy. Turn the light to full-ON per OFF Delay Time set under occupancy. 	
ON/OFF OFF-OFF	<ol style="list-style-type: none"> Ambient light is disabled with this mode. Light off at all time under vacancy. Turn the light to full-ON per OFF Delay Time set under occupancy. 	

Off Delay Time - SW3 & 4

The combination DIP switch #3 and #4 determines the Off Delay Time setting.

Off Delay Time	T*	3 min.	5 min.	10 min.
DIP switch setting	 OFF-OFF	 OFF-ON	 ON-OFF	 ON-ON

* T = 10 seconds shorten delay for testing convenience. The sensor will automatically resume to factory default delay setting after 10 minutes, if the DIP switches have not been set to other positions.