

PBS-721/PBS-722

Push-Button Switch



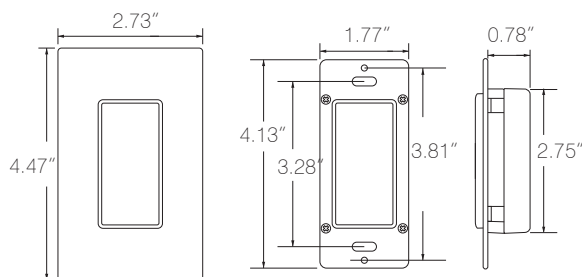
Specializing in Building Sensors



OVERVIEW

The PBS-721/PBS-722 is a single/dual pole push-button switch designed to fit in a standard NEMA wall box. This sleek, low profile switch provides low voltage momentary contact signal for a power pack or BMS to activate the operation of electrical load, such as lighting, fan, or HVAC via pressing the button manually. Pluggable type terminal block makes low voltage wiring connection a quick and easy job. A screwless snap-on wall plate is supplied to create modern, high-end appearance for all kinds of commercial spaces.

DIMENSIONS

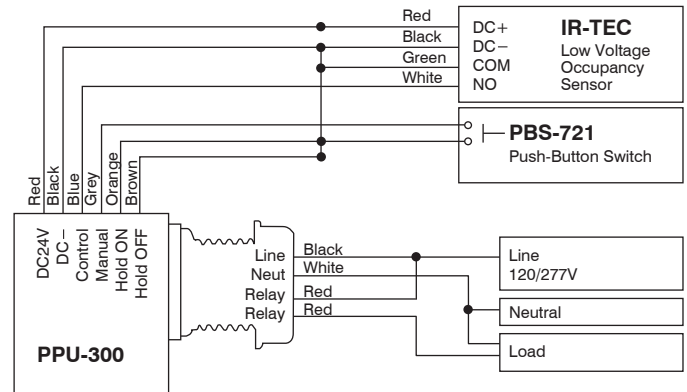


SPECIFICATIONS

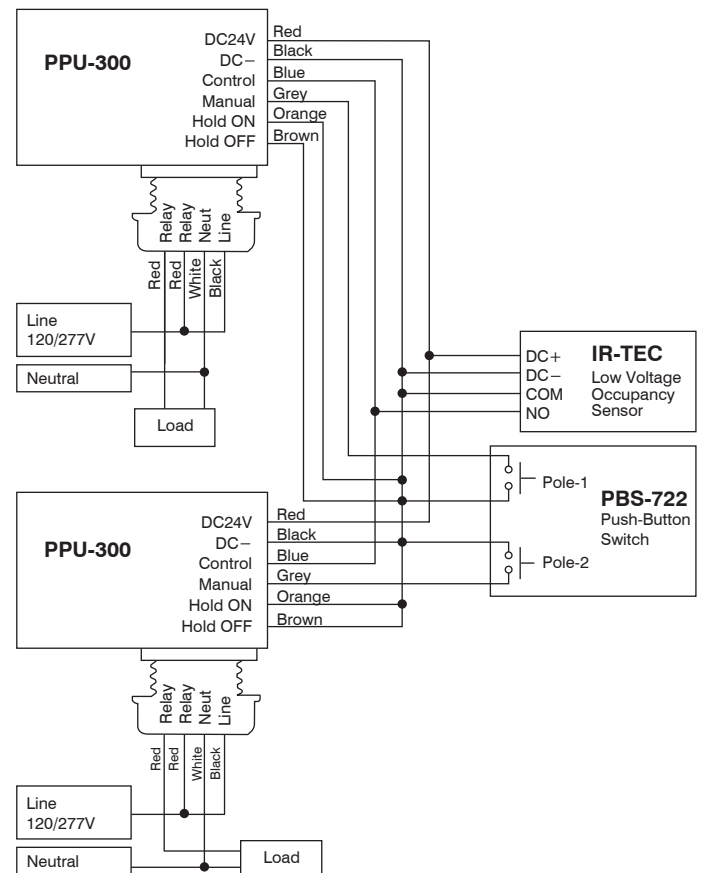
Model No.	PBS-721x	PBS-722x
x : Color code	W - White, I - Ivory	
Control signal	Momentary contact	
Output	1-pole	2-pole
Op. temperature	-14°F ~ 122°F (-10°C ~ 50°C)	
Dimensions	4.13"H x 1.77"W x 1.04"D (w/mounting plate)	

WIRING DIAGRAMS

A. Manual-ON, Auto-OFF (Vacancy Sensing Control)



B. Manual-ON with Bi-level Switching Control



For more complicated control wiring diagram, please contact IR-TEC team member.