



Introducing the **PBS-721 & 722** series

The Premier Push-Button Switches for Vacancy Sensing Control



In our continuing effort to provide complete sensor and control solutions for energy efficient lighting, IR-TEC is pleased to introduce the PBS-721 & PBS-722 Push-Button Switches for low voltage vacancy sensing control applications. These sleek and low profile push-button switches can be mounted in a standard NEMA wall box. With these state-of-the-art single and double push-button switches, you can easily deliver code compliant vacancy sensing control together with IR-TEC low voltage ceiling sensors and power packs.

FEATURES

- Dual-tone cosmetic appearance**
 Deliver architect pleasing contemporary aesthetics
- Stylish screwless snap-in wallplate**
 Match with IR-TEC WALLSENZR wall switch sensors
- Low profile and sleek housing**
 Offer space for easy mounting with NEMA wall box
- Easy pluggable terminal block**
 Enable an error-free and quick wiring connection



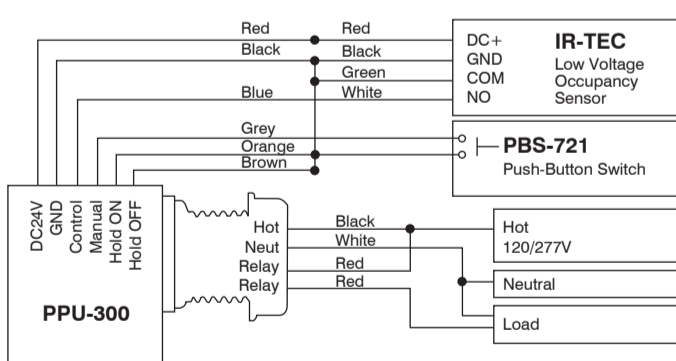
PBS-721



PBS-722

WIRING DIAGRAMS

A. Manual-ON, Auto-OFF (Vacancy Sensing Control)



For more complicated control wiring diagram, please contact IR-TEC team member.

B. Manual-ON with Bi-level Switching Control

