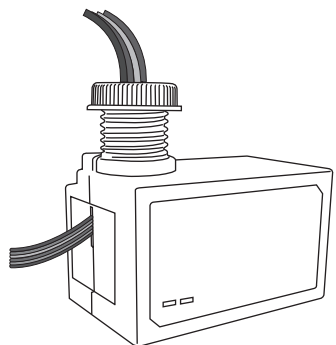




PPU-300, PPU-301 Power Pack & Controller

INSTALLATION INSTRUCTIONS



ONLY QUALIFIED
ELECTRICIANS
SHOULD INSTALL
THIS DEVICE.

Indoor dry location use only
Utilisation a l'interieur Uniquement

⚠ WARNING & CAUTION

- TURN POWER OFF AT CIRCUIT BREAKER BEFORE INSTALLING POWER PACKS.
- Risk of Electric Shock – More than one disconnect switch may be required to de-energize the equipment before servicing.
- Use UL listed wires for all wiring connections. Low voltage wiring connection should use at least 22 AWG wire. Load switching wiring connection should use at least 14 AWG. AC power line voltage wiring connection should use at least 18 AWG wire. Wire all Class 2 circuits using types CL3, CL3P, CL3R, or equivalent conductors. For plenum return ceilings, use UL listed plenum-approved cables.
- Always check national, state and local building codes for necessary compliance. After initial wiring is complete, ensure to verify all the low and high voltage wires are correctly connected before applying the power. Incorrect wiring could possibly cause permanent damage to the power pack, lighting system, occupancy sensors or other control devices.

OVERVIEW

The PPU-300/301 power pack is designed to supply 24V DC power for the operation of low voltage occupancy sensors, and switch the line voltage for the connected load control via its heavy-duty isolated relay in response to the signals from connected occupancy sensors. This power pack can be attached to the existing junction box with 1/2" knockout or mounted into fixture cable trays.

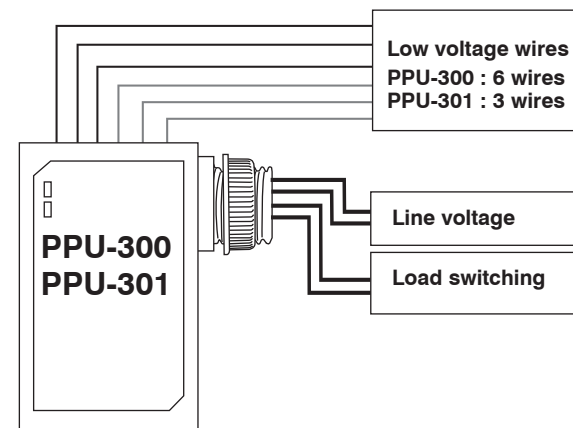
The PPU-300/301 is an isolated class 2 switching mode power supply device for parallel sensor connection up to maximum 0.15A capacity. Check power consumption data of all connected sensors for the maximum number of sensor connection.

With the PPU-300, the load can be turned ON and OFF automatically when it receives signal input from connected occupancy sensor, timer, BAS control and/or manual switch. Various control modes can be achieved by different wiring connections.

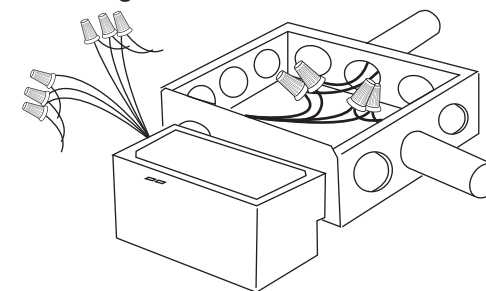
⚠ AVERTISSEMENT & PRUDENCE

- COUPER LE COURANT AU DISJONCTEUR AVANT D'INSTALLER BLOCS D'ALIMENTATION.
- Risque de choc électrique – Plus d'un interrupteur peut être nécessaire pour mettre hors tension le matériel avant l'entretien.
- Utiliser homologation UL fils pour toutes les connexions de câblage. Basse tension connection de câblage doit utiliser au moins 22 fils de AWG. Commutation de charges connexions de câblage doit utiliser au moins 14 AWG. Tension de la ligne de courante alternative connexions de câblage doit utiliser au moins 18 fils de AWG. Brancher tous les circuits de classe 2 à l'aide de types CL3, CL3P, CL3R, ou conducteurs équivalent. Pour les plafonds de retour de plénum, utiliser UL câbles ignifuges approuvés énuméré.
- Toujours vérifier les codes de constructions nationaux, étatiques et locales pour le respect nécessaire et conformité. Après le câblage initial est terminé, assurez-vous de vérifier que tous les fils basse et haute tension sont connectés correctement avant d'appliquer la puissance. Un câblage incorrect pourrait causer des dommages permanents à la batterie d'alimentation, système d'éclairage, aux détecteurs de présence ou autres dispositifs de commande.

INSTALLATION



Low voltage wire



WIRE DESCRIPTION

Color	Description	Function	Gauge
White	Neutral	Line voltage	18 AWG
Black	Line		
Red	Relay contacts	Load switching	14 AWG
Red			

Red	24VDC	DC power supply	22 AWG	CLASS 2
Black	DC-			
Blue	Sensor signal	Sensor & control signal inputs	22 AWG	CLASS 2
*Grey	Manual button			
*Orange	Hold ON			
*Brown	Hold OFF			

*Only with PPU-300



www.irtec.com

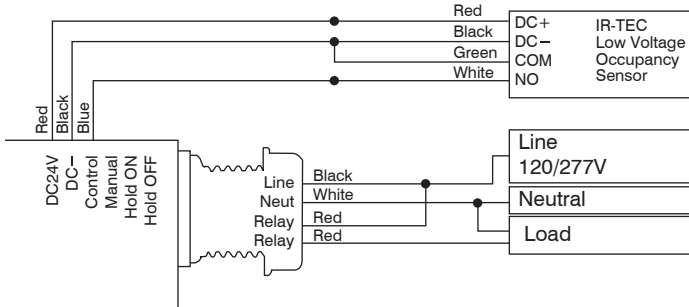
P/N: 058-30024-007

Printed in Taiwan

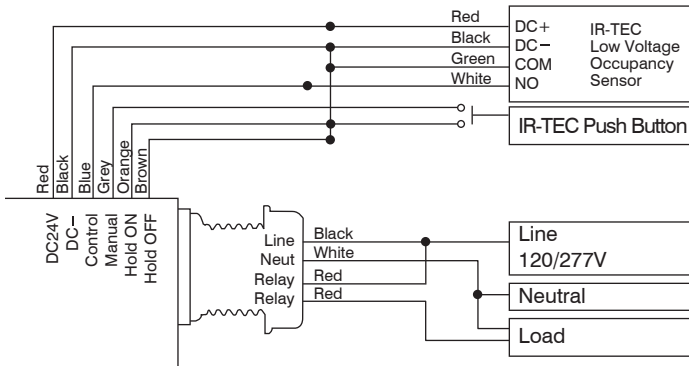
This product may be covered by one or more U.S. patents or patent applications.
Please visit www.irtec.com for more information.

WIRING DIAGRAMS

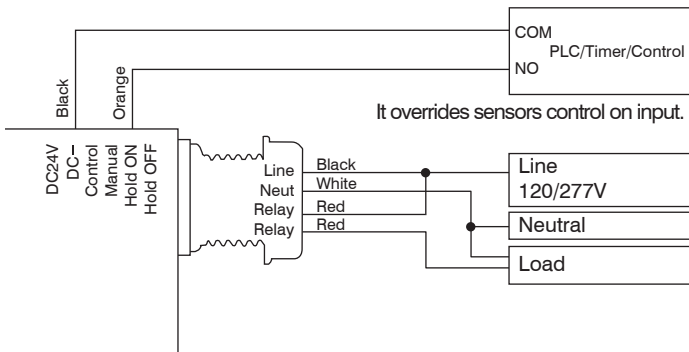
1. Sensor control ON/OFF (PPU-300/301)



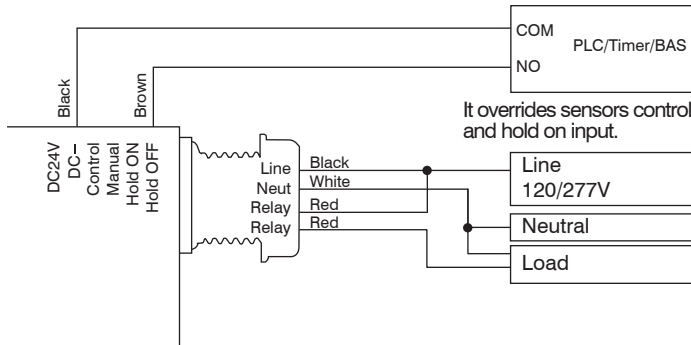
2. Manual ON, Sensor control OFF (PPU-300 only)



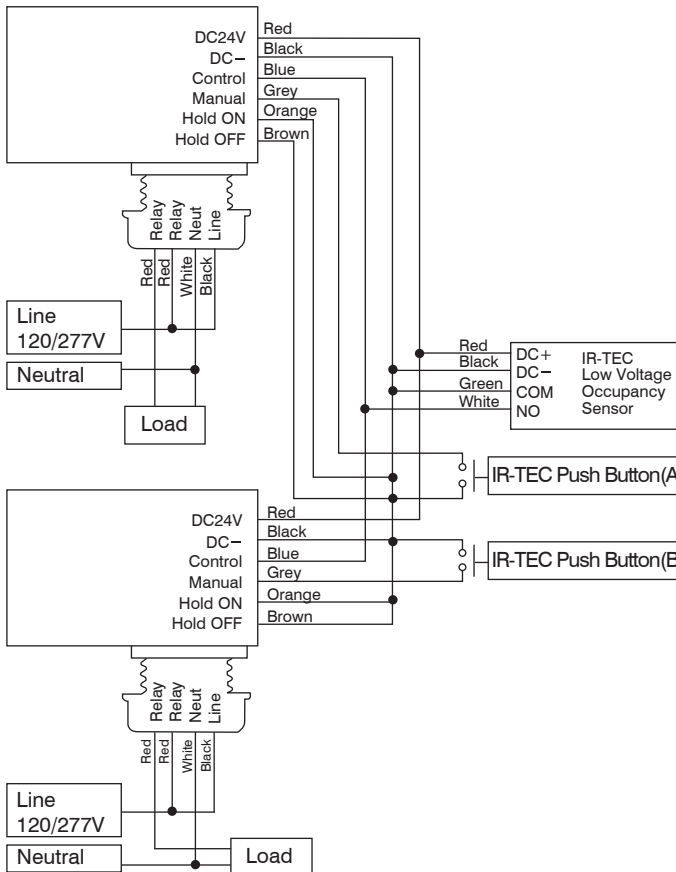
3. Hold ON (PPU-300 only)



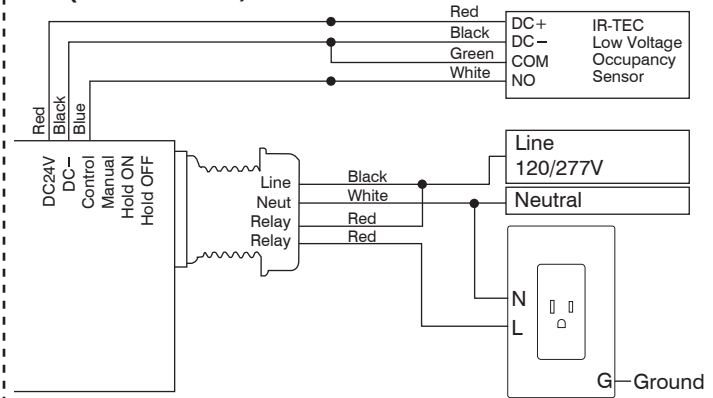
4. Hold OFF (PPU-300 only)



5. Bi-level control with Manual ON (PPU-300 only)



6. Sensor control ON/OFF, Receptacle Control (PPU-300/301)



LED INDICATION

The RED LED indicates DC power supply status, ON means power normal, OFF means no DC power. The BLUE LED indicates relay contact status, ON means closed, OFF means open.

SPECIFICATIONS

Power supply	120/277VAC, 50/60Hz
DC output	24V, 150mA max.
Control input	Control, Active Low
	*Hold ON, Active Low
	*Hold OFF, Active Low
Load control	*Manual, Active Low
	Ballast-20A, 120/277VAC
	Resistive-20A, 120/277VAC
Op. humidity	Motor-1 Hp, 120/240VAC
Op. temperature	95% RH max.
Dimensions	-20°C ~ 50°C (-4°F ~ 122°F)
	75x45x45mm (3"x1.8"x1.8")

*Only with PPU-300



ENCLOSED ENERGY MANAGEMENT EQUIPMENT
4ZS9
E358259
Power Pack Unit
UL 2043 Plenum Rated

