

# ON-PPU-304



## OS-NET Override Controller

Flexibility • Functionality • Simplicity



### OVERVIEW

The ON-PPU-304 is an OS-NET enabled override controller designed to provide force-on control wirelessly. Upon receiving the override signal from integrated BMS/LMS, the ON-PPU-304 will transmit a force-on wireless command to turn on all OS-NET controlled lighting. A pair of built-in 20A relay contacts will also be activated simultaneously. The force-on lighting will resume the original control after the override signal is disengaged and delay time of respective sensor elapsed.

This wireless control device can be attached to a junction box, cable tray, or fixture through a 1/2" knockout with the designed threaded nipple and locknut. Through easy and intuitive operation on a 2-way IR remote programmer, SRP-281, each ON-PPU-304 can be programmed to control up to 4 groups.

With ON-PPU-304, you can easily achieve force-on control while still providing occupancy sensing based control via OS-NET wireless smart lighting solution. Whether it is a new construction or retrofit project, OS-NET wireless smart lighting control solution will save you time and cost in installation, commissioning, and user adoption with ease.

### FEATURES

- 120/277VAC universal line voltage operation
- Controls lighting and load switching up to 20A
- Accepts dry contact or active low open collector
- 2-way IR remote programmable control settings
- One device can be assigned up to four groups
- Dual color LED indicates network linkage status

### APPLICABLE REMOTE (order separately)

Model	Description	Remarks
SRP-281	OS-NET Remote Programmer	Full functionality

### OPERATION

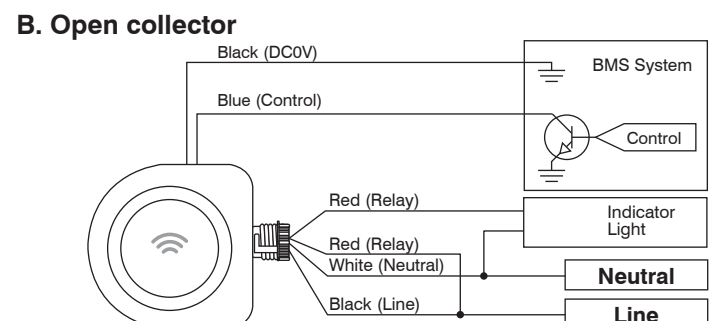
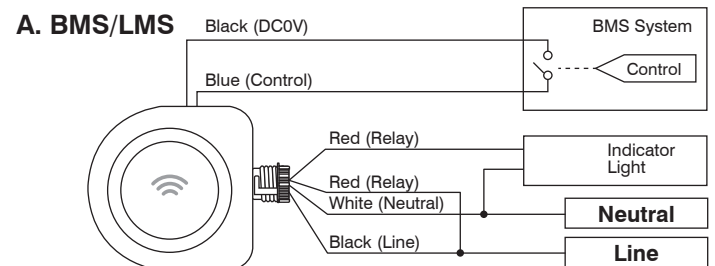
The ON-PPU-304 is an OS-NET enabled 20A load controller designed to override control. Upon receiving the override signal, the ON-PPU-304 will force-on the controlled load and then transmit a wireless command to the grouped OS-NET sensors to force-on the controlled lighting. All controlled load and lighting will remain on during the contact period, and resume original control after the signal is disengaged and DELAY time of OS-NET sensor elapsed.

### SPECIFICATIONS

Power supply	120/277VAC, 50/60Hz
Relay contact	Max. 20A
Override control	Dry contact or active low open collector
Wireless protocol	Modified Zigbee Light Link (ZLL)
Radio frequency	2.4 GHz
Radio range	Typ. 12 m (40 ft) @ indoor
Radio power output	4.60dBm
Remote range	Typ. 5 m (16 ft), indoor with no backlight
Type of control	*Electronic Operated, Independently Mounted
Action Type	*Automatic, Type 1
Ext. Pollution Situation	Degree 2
Impulse Voltage	4000 V Max.
Op. humidity	Max. 95% RH
Op. temperature	-20°C~55°C (-4°F~122°F)
Dimensions	111 x 90 x 46mm (4.37" x 3.54" x 1.80" )

\*Based on UL 60730-1 STD provisions.

### WIRING DIAGRAMS



www.irtec.com  
1-855-GO-IRTEC

DS-ON-PPU304-EN-LS\_V2 (2025-2)

