

PBD-720

Push-Button Dimmer Switch

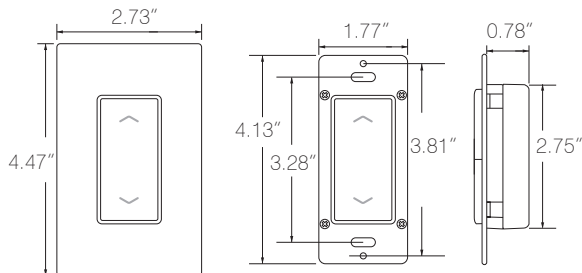


OVERVIEW

The PBD-720 is a single pole, low voltage push-button dimmer switch designed to fit into a standard NEMA wall box. This sleek, low profile switch provides a momentary contact signal for IR-TEC power pack to manually control the connected lighting, together with an adjustable 0-10V output to dim the light as desired through intuitive button operation.

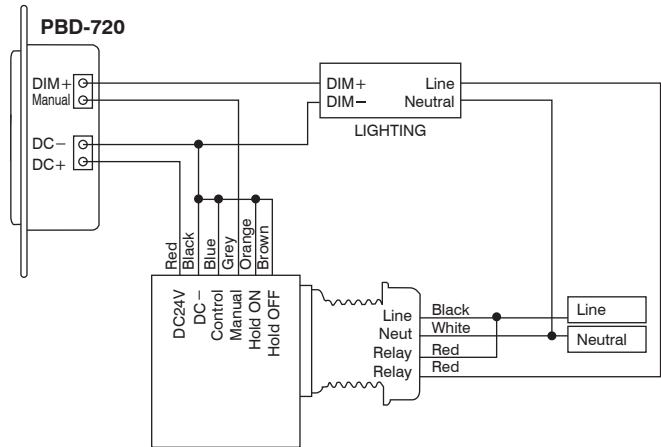
A short press on the button will activate the manual on/off control signal, and a long press at upper/lower position of the button will increase/decrease 0-10V dimming control output. LED light bars will indicate the operational status and dim level while pressing the button. Pluggable type terminal block makes low voltage wiring connection quick and easy. A screwless snap-on Decora wall plate is supplied to create a modern, high-end appearance for all spaces.

DIMENSIONS

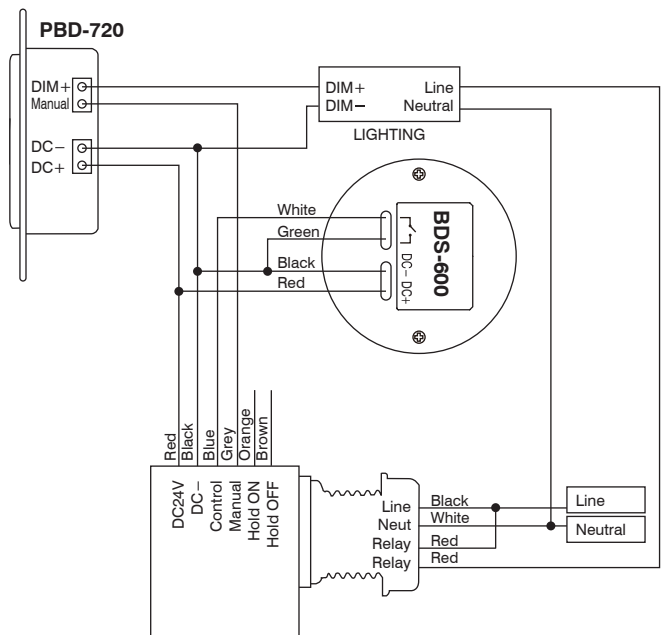


WIRING DIAGRAMS

A. Manual On/Off with Dimming Control



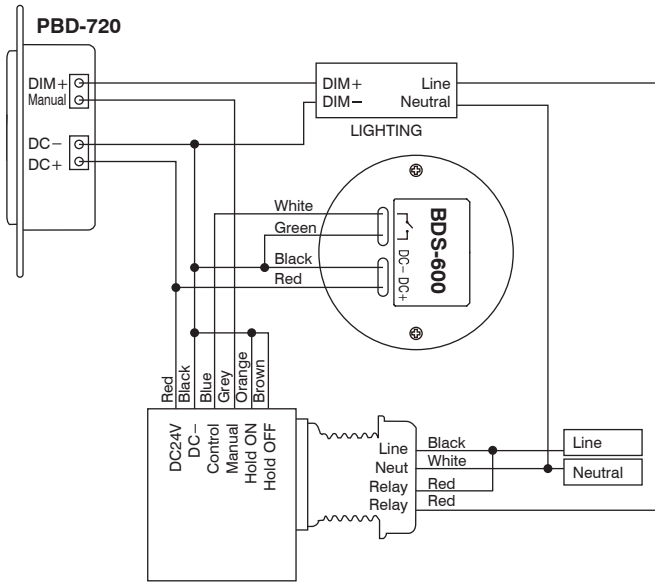
B. Occupancy Sensing with Dimming Control



PBD-720

Push-Button Dimmer Switch

C. Vacancy Sensing with Manual On/Off & Dimming Control



SPECIFICATIONS

Power voltage	12-24 VDC
On/off control	Momentary, 50 mA, 24 VDC max.
Dimming control	0-10V, max 25 mA (Sink)
Dimming range	1% ~ 100%
Op. humidity	Max 95% non-condensation
Op. temperature	-14°F ~ 122°F (-10°C ~ 50°C)
Dimensions	4.13"H x 1.77"W x 1.04"D (w/mounting plate)

ORDERING INFORMATION

PBD-720W – Low Voltage Push-Button Dimmer Switch, 12-24 VDC, White

PBD-720I – Low Voltage Push-Button Dimmer Switch, 12-24 VDC, Ivory

D. Vacancy Sensing with 3-way Manual On/Off & Dimming Control

