

PP-116DR Power Pack & Controller

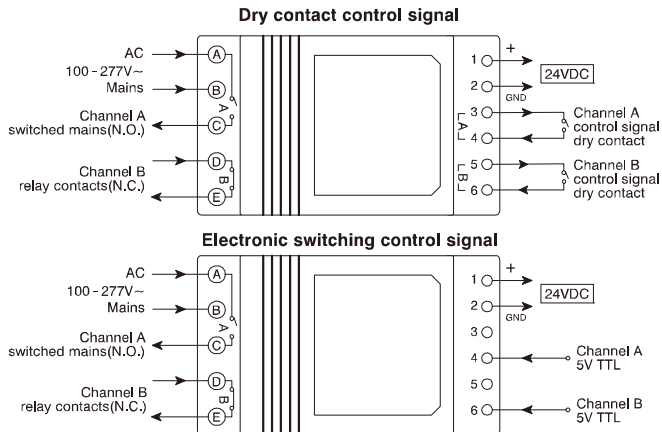


INSTRUCTION SHEET

GENERAL

The PP-116DR is a 24VDC power pack and controller designed for automatic power control. This device provides 2 channels of power switching relays for various controls. Channel A is type A (N.O.) relay and channel B is type B (N.C.) relay. The control signal can be either dry contact or 5V TTL electronic switching. To assure optimum control, please read the following instruction thoroughly before connecting the wires.

WIRING DIAGRAM



Two rows of terminal block are available for wiring connections. Terminal ① to ⑥ are for control signal inputs and 24 V DC power supply. Terminal ① to ⑥ are for AC mains input and power switching.

Control Signals and DC Power Supply

- ① Provides positive polarity of 24 V DC power.
- ② Ground of 24 V DC power.
- ③ For dry contact control signal input of channel A relay.
- ④ For dry contact control signal input of channel A relay. This terminal is also for 5V TTL control signal.
- ⑤ For dry contact control signal input of channel B relay.
- ⑥ For dry contact control signal input of channel B relay. It is also for 5V TTL Hi-Low control signal input.

AC Mains Power Input and Switching

- ① ② AC mains input (100~277 VAC)
- ③ Switched AC mains (channel A)
- ④ ⑤ Contacts of channel B relay (N.C.)