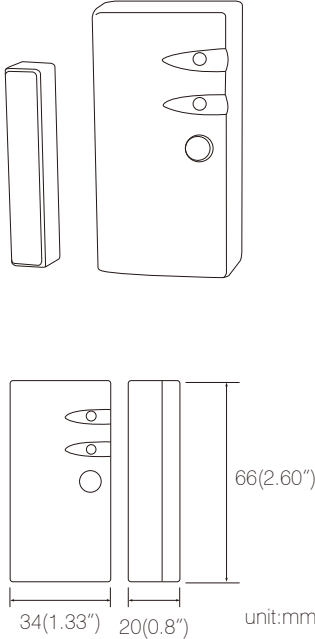


Installation Instructions

IDS-298

WiFi Enabled Door Window Sensor



OVERVIEW

The IDS-298 is the first ever WiFi door window sensor designed to report event data of door/window open and closed. Enabled by the Electric Imp solution, IDS-298 provides secure and reliable Internet connectivity and integrates the easiest WiFi setup through Electric Imp's patent-pending BlinkUp™ technology.

The sensor is embedded with an innovative Imp WiFi radio module which supports 802.11b/g/n and a powerful ARM processor which runs the Imp OS. Extremely low power consumption design supports very long sensor operation with a CR2 Lithium battery. The IDS-298 can be easily installed on the door or window with two screws.

Once IDS-298 is WiFi connected, you can remotely monitor open/closed status of the specific door/window at the site through the Electric Imp Cloud service via a Smartphone whenever and from wherever you are in the world.

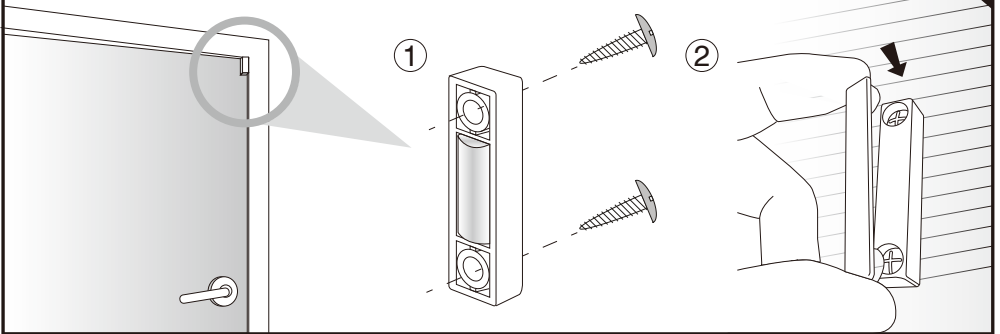
SPECIFICATIONS

Power supply	CR2 Lithium Battery (optional)
Detectable gap	20mm (0.8") max.
Operation voltage	3.0 ± 0.5VDC
Detection output	Active high
Radio specification	2.4GHz WiFi, 802.11b/g/n
Current drain	8uA @WiFi deep sleep mode
Tamper protection	Active low, non-latching
Op. humidity	Max. 95% RH
Op. temperature	-20°C~50°C (-4°F~122°F)
Dimensions	66 x 34 x 20mm (2.60"x1.33"x0.8")

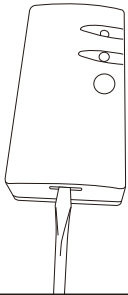
INSTALLATION

Mount the magnet on the door frame

1

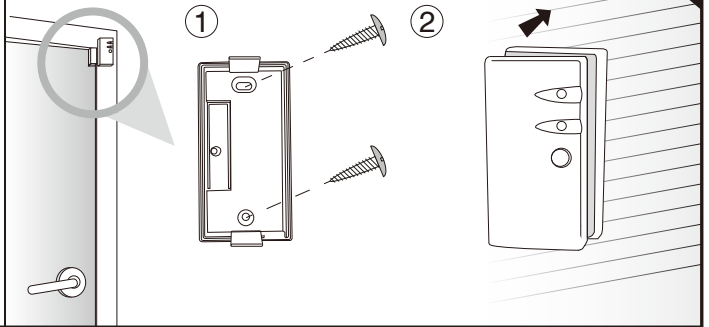


Open the cover



Mount the sensor on the door frame

2



3

