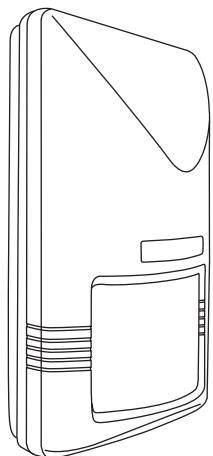


IR-550LP-P

Battery Powered Pet-immune
PIR Detector



Battery Powered Pet-Immune PIR Detector
Batteriebetriebener Haustier-immuner PIR Detektor
Décteur Animal-immunisé à piles de PIR
Detector Animal-immune con pilas de PIR
Huisdier-Immune Detector PIR op batterijen
防寵物紅外線偵測器

Installation instructions
Montagevorschriften
Instructions d'installation
Instrucciones de instalación
De instructies van de installatie
安裝說明書

1

2

3

Max. 60cm
Max. 20kg
2M
2.2M

4

DIRECT WALL/CORNER MOUNT

5

No Bracket

No Tilt

6

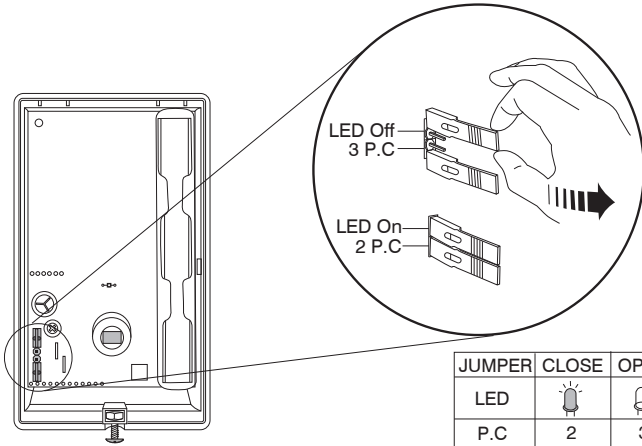
BEFORE MOUNTING

7

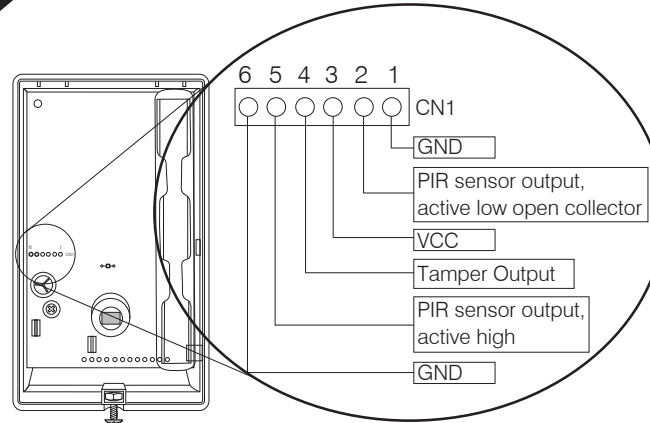
WALK TEST

LED on
After 60 Sec.
LED off
LED on
LED off
POWER ON
YES
NO

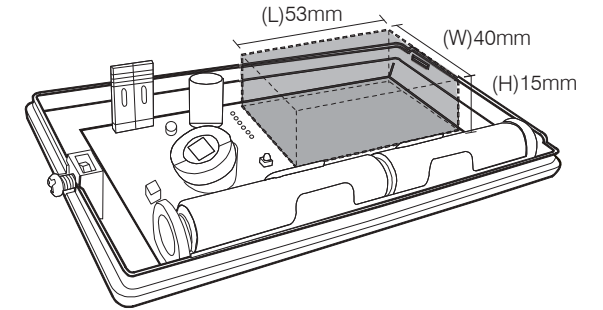
8 JUMPER SWITCH SETTING



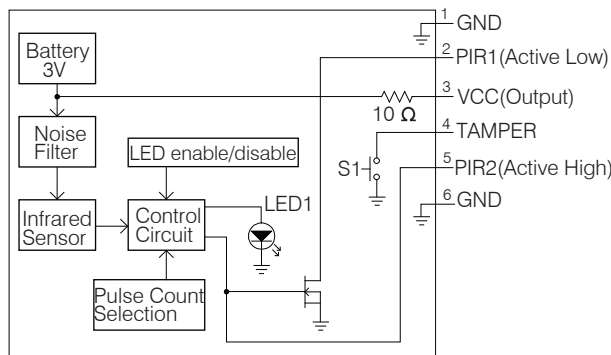
9 I/O CONNECTION



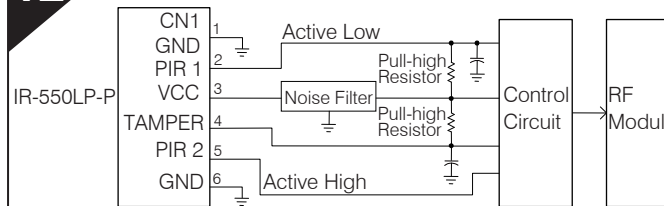
10 RF MODULE SPACE



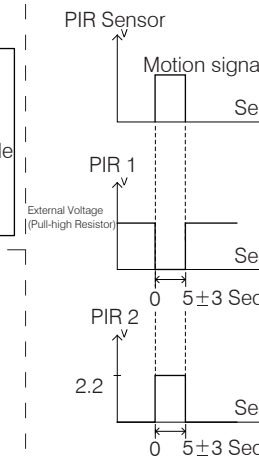
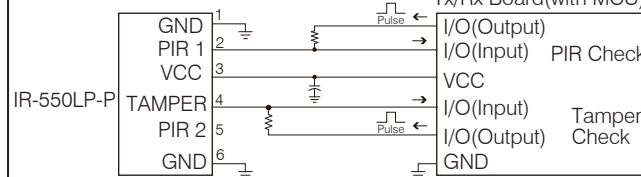
11 BLOCK DIAGRAM



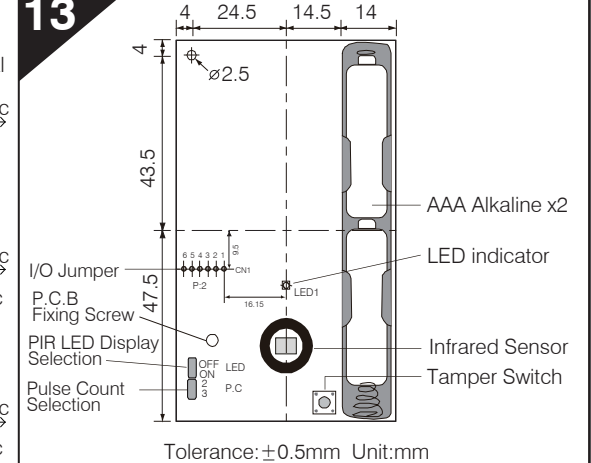
12 REFERENCE CIRCUIT 1



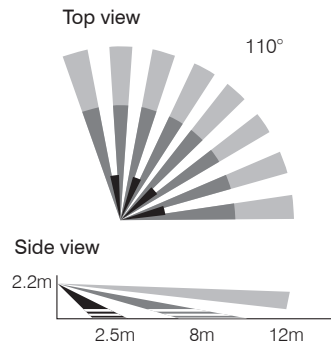
REFERENCE CIRCUIT 2



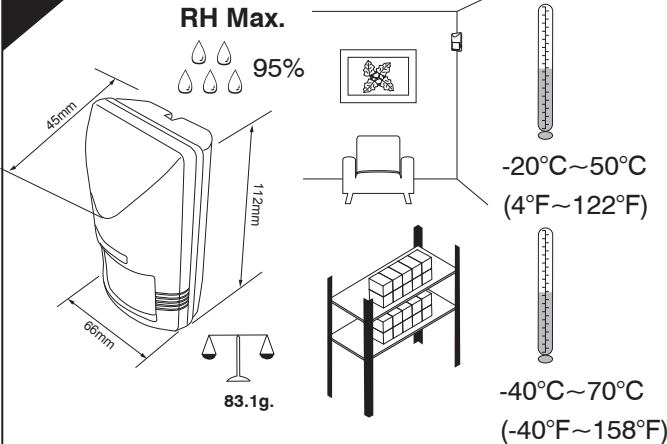
13



14 DETECTION PATTERN



15



SPECIFICATIONS

Power supply	2 x AAA Alkaline Battery
Operation voltage	3.0 VDC ± 0.6V
Current drain	10uA standby
Warm up time	Approx. 60 seconds
Detection range	110° wide (12x12 m)
Detection output	PIR1 (ActiveLow)/PIR2 (ActiveHigh)
Tamper protection	Yes, active low, non-latching
LED indicator	ON/OFF jumper selectable
Mounting height	2.2 m
Pulse count	2 / 3 pulses, jumper selectable
Humidity	95%, RH maximum
Op. temperature	-20°C ~ 50° (-4°F ~ 122°F)
Dimensions	112 x 66 x 45 mm