

IMS-698

WiFi Enabled Passive Infrared Motion Sensor



FEATURES

- Dual element pyroelectric sensor
- Electric Imp WiFi solution enabled
- Extremely low power consumption
- Multi-directional mounting bracket
- Low battery status warning output
- BlinkUp* technology for WiFi setup
- Excellent immunity to RFI and EMI
- WiFi settable sensor detection LED

*BlinkUp is a patent pending optical commissioning technology developed by Electric Imp.

OVERVIEW

The IMS-698 is the first ever WiFi passive infrared motion sensor. Enabled by the Electric Imp solution, IMS-698 provides secure and reliable internet connectivity and integrates the easiest WiFi setup through Electric Imp's patent-pending BlinkUp™ technology. The innovative Imp card has advanced WiFi radio which supports 802.11b/g/n and a powerful ARM processor which runs the Imp OS.

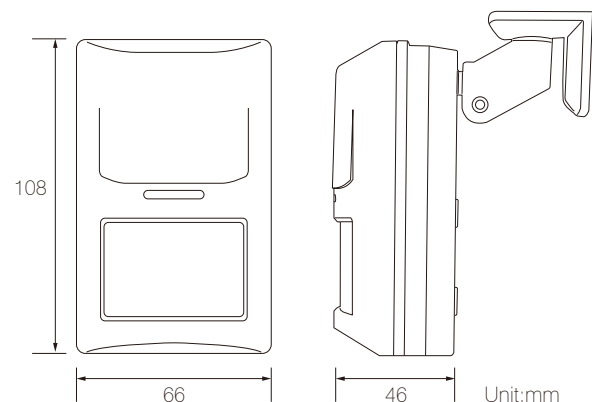
A cutting edge dual element pyroelectric infrared sensor and a unique fresnel lens are employed to provide reliable motion sensing capability. The extremely low power consumption design supports years of sensor operation with 2 x AA sized lithium batteries. IMS-698 can be easily installed on the wall, corner, or ceiling with the multi-directional mounting bracket provided.

Once IMS-698 is WiFi connected, you can remote control the sensor operation and/or monitor the activity status at the site through the Electric Imp Cloud service via a Smartphone whenever and from wherever you are in the world.

APPLICATION

- Intruder Detection
- Alarm Monitoring
- Light/HVAC Control
- Activity Monitoring
- Senior Home Care
- Security System
- Occupancy Sensing
- Building Management
- Inactivity Warning

DIMENSIONS



IMS-698

WiFi Enabled Passive Infrared Motion Sensor

SENSOR OPERATION

The IMS-698 is a WiFi enabled passive infrared motion sensor powered by 2 x AA lithium batteries. By inserting an Imp card into the slot on top, the sensor becomes internet connected through WiFi. IMS-698 reports an output when motion is detected within its detection range by means of sensing the infrared energy emitted from a moving object. This output will be transmitted via WiFi to the designated device such as a Smartphone or another Imp-enabled device, which can trigger other actions as desired. With IMS-698, one can monitor the status of a remote site at any time from any place. An LED in the sensor can be disabled, or enabled to indicate sensor detection via WiFi setting.



SPECIFICATIONS

Infrared sensor	Dual-element pyroelectric sensor
Power supply	2 x AA 1.5V Lithium Batteries
Operation voltage	3.0 ± 0.6VDC
Radio specification	2.4GHz WiFi, 802.11b/g/n
Current drain	15uA @WiFi idle
Detectable speed	0.1~3m/sec. (0.33~10ft/sec.)
Mounting height	1.8~3.6m (6~12ft.)
Detection range	110°, 15m @ 25°C (50ft @ 77°F)
Tamper protection	Active low, non-latching
Warm-up time	Approximately 60 sec.
Op. humidity	Max. 95% RH
Op. temperature	-20°C~50°C (-4°F~122°F)
Dimensions	108x66x46mm (4.25" x 2.6" x 1.8")

DETECTION PATTERNS

