

LRS-202SP

Line Voltage Occupancy Sensor



OVERVIEW

The LRS-202SP is a low profile, two-way IR remote programmable line voltage switching occupancy sensor designed for all-purposes energy efficient lighting control.

This state-of-the-art occupancy sensor employs a cutting edge quad-element pyroelectric infrared sensor to provide omni-directional sensing capability of occupant's presence and movements. The sensor can be easily programmed with specific delay time and ambient light level as desired, or download the existing settings of installed sensor from the floor via a two-way handheld IR remote programmer (SRP-280).

This IP-65 batten mount sensor can be externally assembled with an OEM luminaire through a 1/2" hole. A low profile flat lens provides excellent low-bay occupancy sensing capability within its coverage of 2X mounting height.

FEATURES

- Omni-directional infrared sensor
- Digital data control ambient light sensor built-in
- 100/120/230/277VAC multiple line voltage operation
- 2-way IR remote programmable control settings
- Walk test and sensor operation LED indicator
- Remote programming range exceeds 10 m.
- Beeping or light flashing acknowledgement
- Ideal for linear, batten mount or IP-65 luminaires

APPLICATION

Occupancy Sensing On/Off Control

The LRS-202SP can be externally mounted with variety types of commercial luminaires through 1/2" knockout hole and provide on/off switching of the connected light, or other loads, by sensing the presence and movements of the occupant. Basic wiring diagrams are included. Consult with an IR-TEC team member if a more complex wiring diagram is required.

LRS-202SP

Line Voltage Occupancy Sensor

CONTROL MODES

The sensor can be easily configured to control the light in one of the following schemes via remote programmer. For details of specific control mode, please visit www.irtec.com or contact an IR-TEC team member directly.

Mode	Day ¹	Night ²	Remarks
ON/OFF	Vac: OFF Occ: ON/OFF	Vac: OFF Occ: ON	
OFF	Vac: OFF Occ: OFF	Vac: OFF Occ: OFF	Light stays off

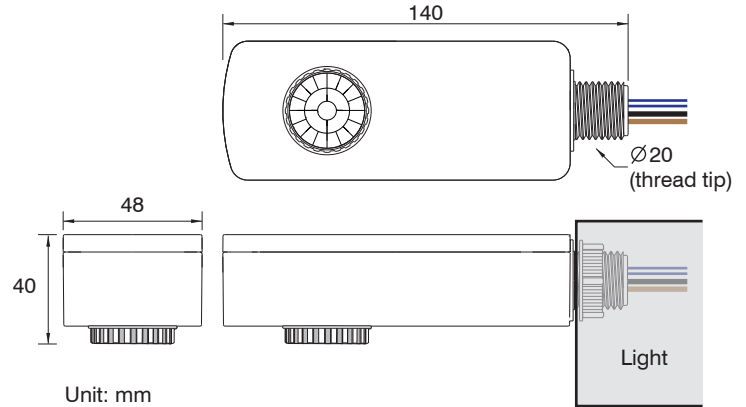
OFF : Light OFF all the time

Vac : Vacant **Occ** : Occupied

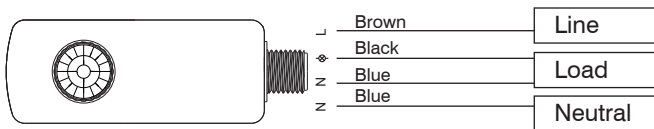
¹ While ambient light level is higher than the threshold.

² While ambient light level is lower than the threshold.

DIMENSIONS



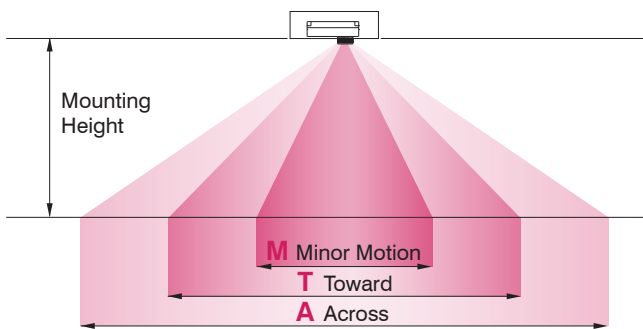
WIRING DIAGRAM



SPECIFICATIONS

Power supply	100/120/230/277VAC, 50/60 Hz		
Maximum Load	100-120VAC	230VAC	277VAC
-Incandescent/Halogen	800W(VA)	5A	1200W(VA)
-Fluorescent Ballast/CFL	800W(VA)	5A	1200W(VA)
-Ballast Electronic (LED)	540VA	5A	1200VA
Infrared sensor	Omni-directional pyroelectric		
Detectable speed	0.3~3 m/sec (1~10 ft./sec.)		
Mounting height	2.4~6m (8~20 ft)		
Detection range	Subject to the mounting height		
Op. humidity	Max. 95% RH		
Op. temperature	-10°C~55°C (14°F~131°F)		
Dimensions	140x48x40mm (5.51"x1.89"x1.50")		

DETECTION PATTERN



Mounting Height	2.4 m (8 ft)	3.0 m (10 ft)	3.6 m (12 ft)	6.0 m (20 ft)
Coverage Diameter	M 1.0 m (3 ft)	2.0 m (7 ft)	3.0 m (10 ft)	--
	T 3.0 m (10 ft)	4.0 m (13 ft)	5.0 m (16 ft)	6.0 m (20 ft)
	A 5.0 m (16 ft)	6.0 m (20 ft)	7.0 m (23 ft)	9.0 m (30 ft)