

MRA-124S/MRA-124W

DALI-2 Occupancy & Light Sensor



OVERVIEW

The MRA-124S/MRA-124W is a miniature bus powered DALI-2 Occupancy and Light sensor designed for Digital Addressable Lighting Interface (DALI) control.

The MRA-124S comes with flat lens for general application and the MRA-124W comes with dome lens featuring wide angle coverage.

This multi-sensor employs a digital Passive Infrared (PIR) Sensor and a digital Ambient Light Sensor (ALS) to dynamically report local occupancy status and ambient luminance level for DALI Application Controller to execute smart lighting control.

The MRA-124S/MRA-124W can be recess mounted on the ceiling via an exclusive mounting bracket or directly integrated into an OEM luminaire. This DALI Input Device not only conform all electrical safety, EMC emission and immunity requirements, but also fully complies with IEC 62386 Parts 101, 103, 303, and 304 DALI standards.

FEATURES

- Digital pyroelectric infrared and ambient light sensor
- Fully comply with IEC 62386 Parts 101, 103, 303, 304
- Low energy consumption over DALI bus power supply
- Discrete appearance ideal for commercial applications
- Ceiling recess mounting or luminaire integration

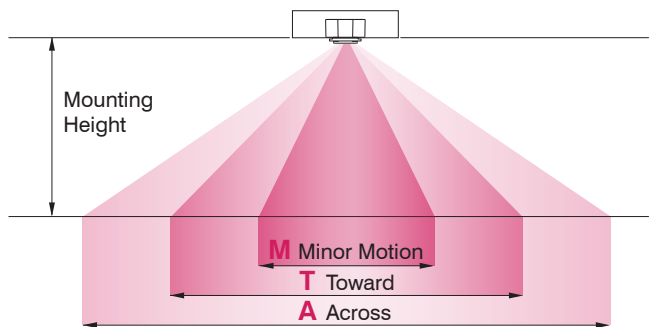


APPLICATION

☑ DALI Lighting Control

The MRA-124S/MRA-124W DALI-2 Occupancy and Light Sensor can be used to provide local occupancy status and ambient light level of private office, open office, work station, function room, washroom, private toilet/stall... etc.

DETECTION PATTERN



Mounting Height		2.4 m (8 ft)	3.0 m (10 ft)	3.6 m (12 ft)	6.0 m (20 ft)	
Coverage (diameter)	MRA-124S	M	1.0 m (3 ft)	2.0 m (7 ft)	3.0 m (10 ft)	--
		T	3.0 m (10 ft)	4.0 m (13 ft)	5.0 m (16 ft)	6.0 m (20 ft)
		A	5.0 m (16 ft)	6.0 m (20 ft)	7.0 m (23 ft)	9.0 m (30 ft)
	MRA-124W	T	4.0 m (13 ft)	3.0 m (10 ft)	2.0 m (7 ft)	--
		A	12.0 m (39 ft)	14.0 m (46 ft)	16.0 m (52 ft)	--

NOTE: High ambient temperature (above 28°C/82°F) could reduce the coverage of PIR sensor. If ambient temperature at the covered area are expected to be high sometimes, consider adding more sensors or reduce the mounting height, if possible.

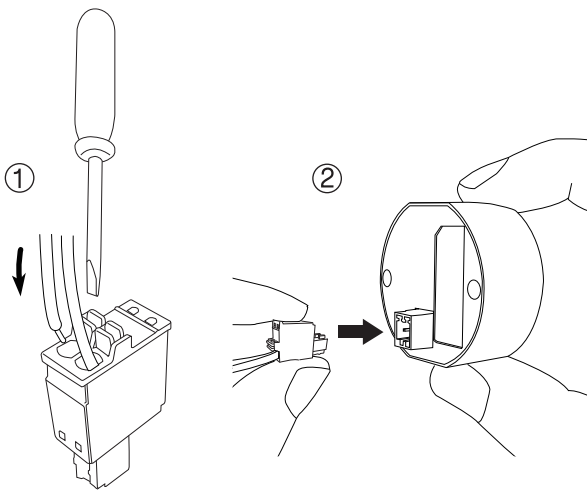
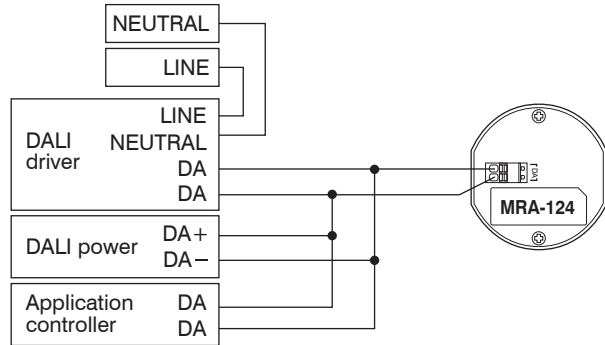
SPECIFICATIONS

Device Type	DALI-2 Input Device w/o application controller
GTIN	MRA-124S: 4711498310057 MRA-124W: 4711498310064
Power supply	DALI bus power
Power consumption	10 mA max
Control output	Addressable/slave DALI
Movement sensor	Digital passive infrared (PIR)
Luminance sensor	Digital ALS
Light level range	2-1000 lux @ mounting position
Detectable speed	0.15~3 m/sec. (0.5~10 ft/sec.)
Mounting height	MRA-124S: 2.4~6 m (8~20 ft) MRA-124W: 2.4~3.6 m (8~12 ft)
DALI standards	IEC 62386 Parts 101, 103, 303, 304
Op. humidity	Max. 95% RH
Op. temperature	-20°C~50°C (-4°F~122°F)
Dimensions	Ø40 x H24mm (Ø1.57" x H0.94") (w/o bracket)

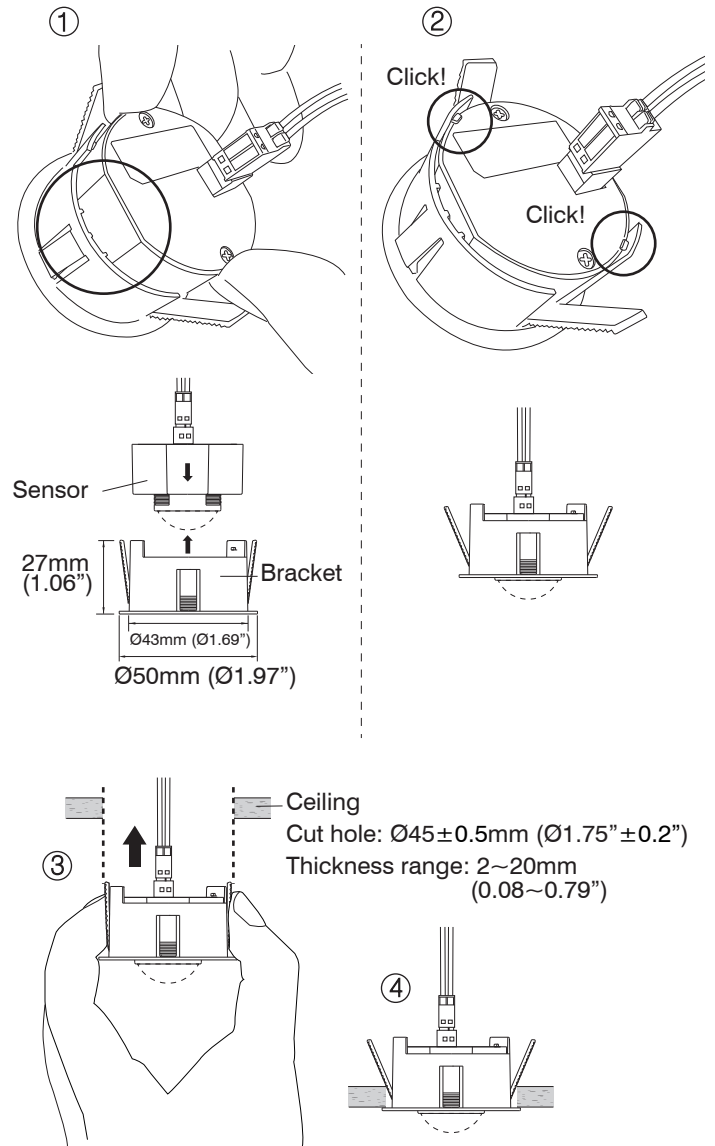
MRA-124S/MRA-124W

DALI-2 Occupancy & Light Sensor

WIRING DIAGRAM

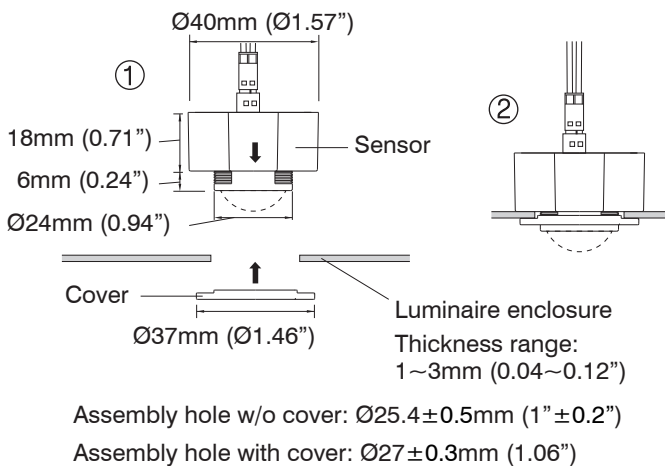


Ceiling Recess Mount (Outside-in)



MOUNTING

Luminaire Assembly (Inside-out)



To remove sensor from bracket

