

TECHNICAL DATASHEET

MS-320 PIR Motion Sensor Module

INTRODUCTION

IR-TEC MS-320 is a multipurpose, Passive Infrared Motion Sensor Module designed to detect human body movements within its 90° wide angle, 10m long detection range. The TTL open collector output and CdS photocell sensor make this module a perfect partner for various OEM product integrations. This module employs a dual element pyroelectric infrared sensor and advanced signal processing circuit to provide following features;

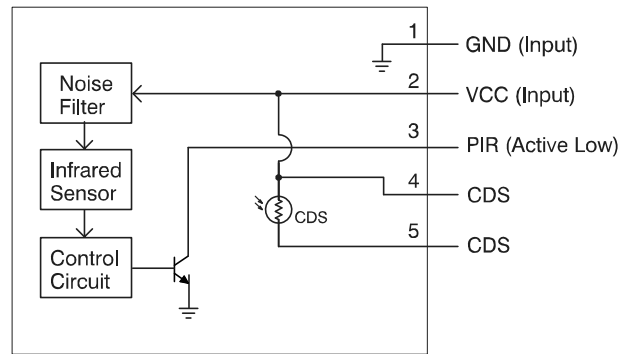
- Excellent motion detection capability.
- Wide operation power voltage range.
- Excellent RFI/EMI protection design.
- Dual stage noise cancellation circuit.
- 90° wide angle Fresnel lens built-in.
- TTL open collector digital output.
- Built-in CdS photocell sensor.
- Ideal for wall mount installation.

APPLICATIONS

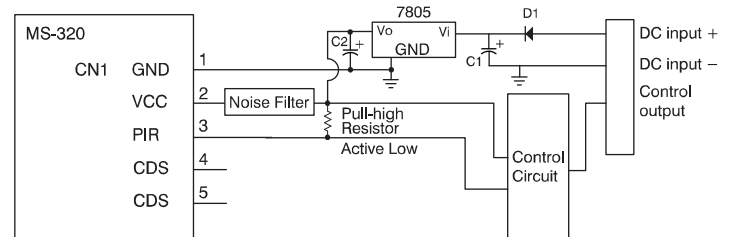
The MS-320 Passive Infrared Motion Sensor is ideal for the following OEM product integrations;

- Intrusion detectors
- HVAC ventilation control sensors
- Portable devices require motion sensors
- Lighting control sensors
- Activity detectors
- Inactivity detectors
- Motion activated control devices

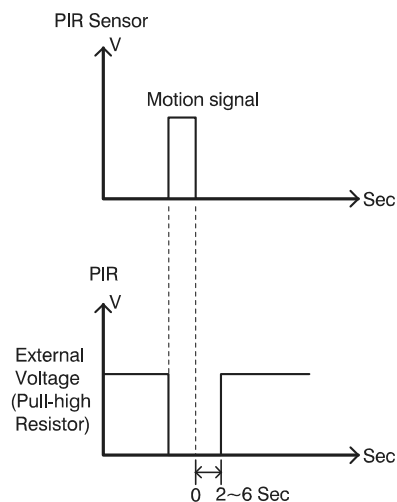
BLOCK DIAGRAM



REFERENCE CIRCUIT

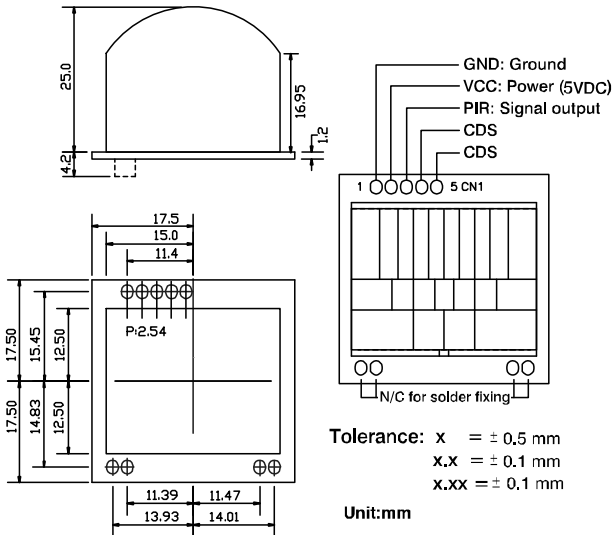


LOGIC DIAGRAM



TECHNICAL DATASHEET

DIMENSIONS



SPECIFICATIONS

Infrared sensor	Dual element pyroelectric
Light sensor	CdS photocell
Operation power (Vcc)	5V±1.5VDC
Current drain (Iw)	< 1mA
CdS resistance	35 ~ 70 KΩ @10 lux
CdS Gamma value	Typical 0.75, 10 ~ 100 lux
Warm-up time	40±5 seconds
Signal output format	Open collector, Active Low
Signal output time	3 seconds (Typ.)
Detection range @25°C	12m @1.4m height
Mounting height	1.4 ~ 2.4 m (4.6 ft~7.9 ft)
Detectable speed	0.15 ~ 3 m/sec.
Op. temperature	-20°C ~ 50°C(-4°F ~ 122°F)
Maximum output voltage	30 VDC
Maximum output current	100mA (sink)
Dimensions	35 x 35 x 30 mm

Specifications are subject to change without prior notice.

DESIGN NOTICES

- If maximum detection coverage is required, please do not block any segment on the optical lens. Masking the respective segments with infrared blocking material on the lens will proportionally block the detection coverage.
- The PIR sensor is more sensitive to the movements across (crosswise) the sensor than toward (longitudinal) it.
- Ensure to provide a clean and regulated DC power to the module to assure reliable detection.

DETECTION PATTERN

Wall Mount

Top View

