



OVERVIEW

The ON-PBD-705W is an optional device of IR-TEC's OS-NET wireless mesh network solution. This device is exclusively designed to replace an existing wall switch/dimmer to broadcast manual on/off/dim control commands to the assigned group lighting, while also function as a network node.

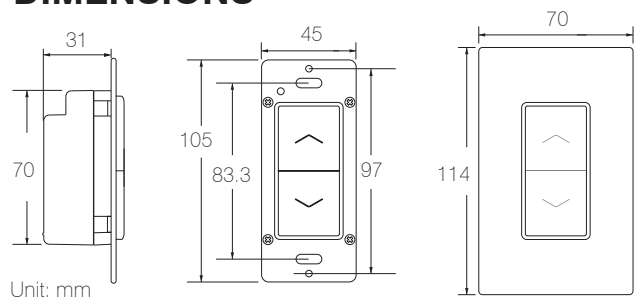
This sleek, low profile OS-NET device can be mounted into a standard NEMA wall box, operated by line voltage power, and provide wireless control to the grouped lighting as required. Each ON-PBD-705W can be assigned to control up to 4 lighting groups via a 2-way handheld remote programmer.

A short press at upper/lower position of the button will transmit a command to switch on/off the lighting of groups assigned. Press and hold at upper/lower position of the button will increase/decrease the output level of controlled lighting respectively. A screwless snap-on Decora wall plate is supplied to create a modern, high-end appearance for all spaces. By grouping the ON-PBD-705W with OS-NET sensors, you can effortlessly achieve an energy-efficient, code-compliant smart lighting control through a state-of-the-art wireless sensor mesh network with manual controls capability for presentation or special event.

FEATURES

- 120/230/277VAC line voltage power operating
- Low profile mounting with standard NEMA box
- Screwless snap-on Decora wall plate supplied
- Dual-color LED to indicate network connection
- Can be assigned to control up to 4 lighting groups

DIMENSIONS



SPECIFICATIONS

Power voltage	120/230/277VAC, 50/60 Hz
Wireless protocol	Modified Zigbee Light Link (ZLL)
Radio frequency	2.4 GHz
Radio range	Typical *15 m @indoor
Radio power output	2.27 dBm
Op. humidity	Max 95% non-condensation
Op. temperature	-10°C ~ 50°C (14°F ~ 122°F)
Dimensions	105H x 45W x 42D mm (w/mounting plate)

*Actual radio range may differ depending on environmental conditions.

WIRING DIAGRAM

