

PBS-811

Push-Button Switch



OVERVIEW

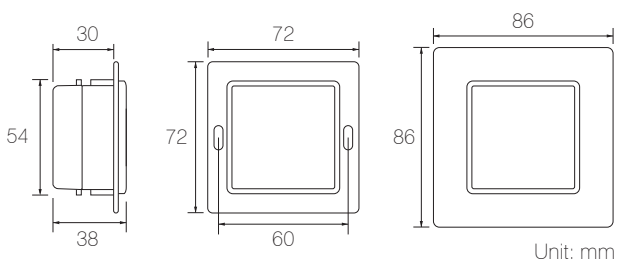
The PBS-811 is a single pole push-button switch designed for providing a momentary contact signal to the associated vacancy sensor to activate the controlled load, such as lighting, fan, or HVAC. The associated vacancy sensor will shut off the controlled load when the set delay time elapses.

This push-button switch is for mounting into a EURO type wall box with 60 mm screw pitch. A screwless snap-on wall plate creates low profile, sleek appearance suitable for all kinds of commercial spaces.

APPLICATION NOTES

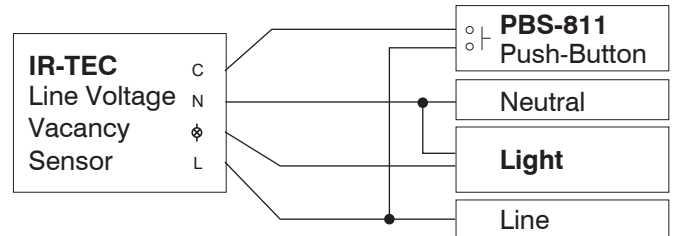
1. Do NOT use this device for load control.
2. The PBS-811 can be used as “voltage free” contact input device.
3. The PBS-811 shall connect with 230VAC to activate line voltage vacancy sensors (ref. IR-TEC’s LVS-508N or LRS-508S series) which require AC mains momentary contact input.

DIMENSIONS

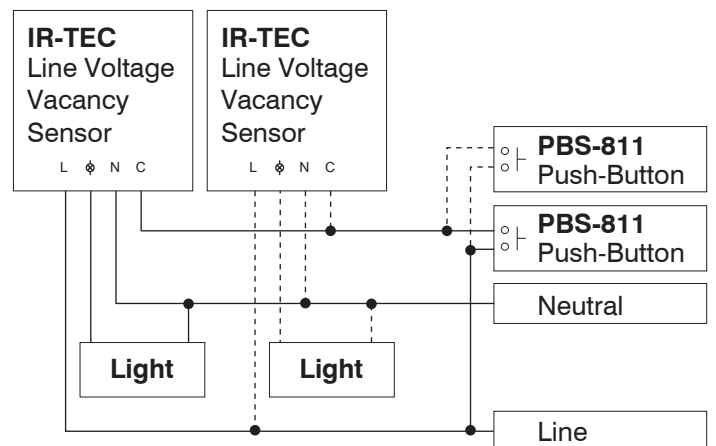


WIRING DIAGRAMS

1. Single Sensor & Button Control

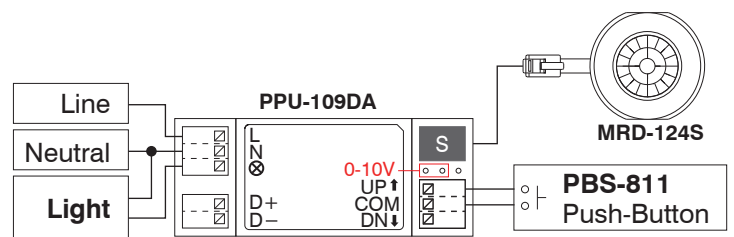


2. Multiple Sensors & Button(s) Control



NOTE: The button should provide same phased AC mains power-through momentary contact.

3. ON-OFF switching with PPU-109DA power pack



SPECIFICATIONS

Contact output	N. O. momentary dry contact
Contact voltage	250 VAC max.
Rated current	0.5A max.
Material	Polycarbonate, UL 94V0 rated
Screw pitch	60 mm
Op. temperature	-10°C ~ 50°C
Dimensions	86H x 86W x 38D mm (w/mounting plate)