

PPU-100DP

DALI Power Supply Unit



OVERVIEW

The PPU-100DP is a DALI power supply unit for IR-TEC's SmartDALI sensor to provide standalone or network based smart lighting control. This device can also be used as a DALI bus power supply unit for other DALI devices.

Through plug-in connection with the MRD-124S SmartDALI sensor, a low cost standalone occupancy/vacancy sensing based DALI broadcast lighting control can be easily achieved. It can also connect with the ON-MRD-124S SmartDALI OS-NET sensor to deliver an affordable state-of-the-art wireless networked smart lighting solution for general commercial application. A momentary push button input can be connected to enable manual control while allowing the connected sensor to automatically shut off the light after the area is vacant for a period of time.

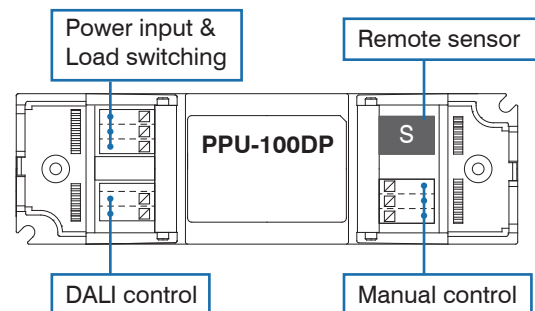
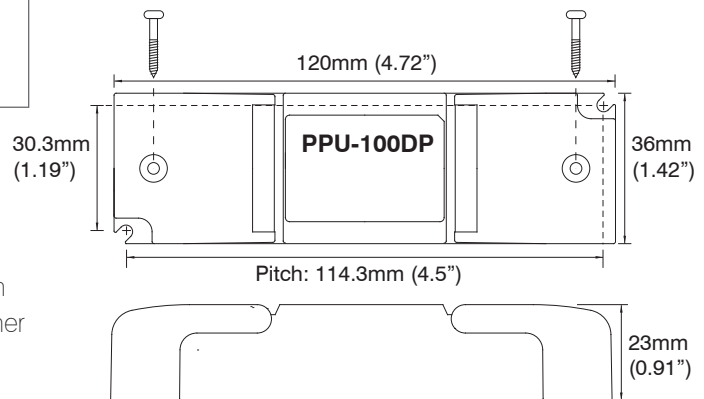
SPECIFICATIONS

Power supply	120/240/277VAC, 50/60Hz
Power consumption	<0.5W @standby
Bus power output	16 VDC, 100mA max.
Sensor input	DALI
Dim control output	DALI broadcast
Manual control input	Momentary contacts
Op. humidity	95% RH max.
Op. temperature	-20°C~70°C (-4°F~158°F)
Dimensions	120x36x23mm (4.72"x1.42"x0.91")

FEATURES

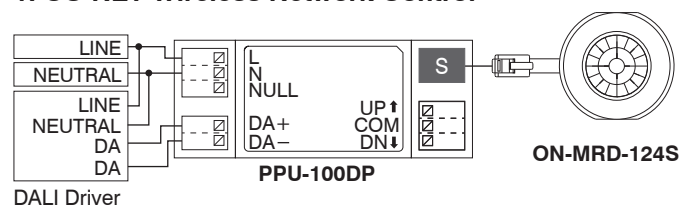
- Class 2 switching mode power supply
- 120-277VAC line voltage power input
- 100mA DALI bus power supply output
- RJ connector enable easy sensor plug-in
- Push-in terminal for power & control wiring
- Manual control momentary contact input

DIMENSIONS



WIRING DIAGRAM

1. OS-NET Wireless Network Control



2. Standalone Control

