

## 360° Ceiling Mount PIR Detector

### IR-360

#### GENERAL

IR-TEC's Pyramid is an innovative 360° ceiling mount passive infrared detector with outstanding performance and supreme reliability that meet demands of all kinds of professional installation. The Pyramid is manufactured under restrict quality control standard, backed by IR-TEC's 5 year warranty, we trust the Pyramid will deliver full satisfaction to you and your client.

IR-360 is the standard version of Pyramid with N.C/N.O selectable alarm output for general security signaling.

#### SPECIFICATIONS

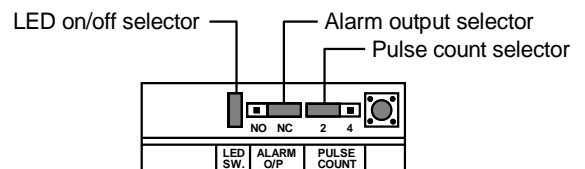
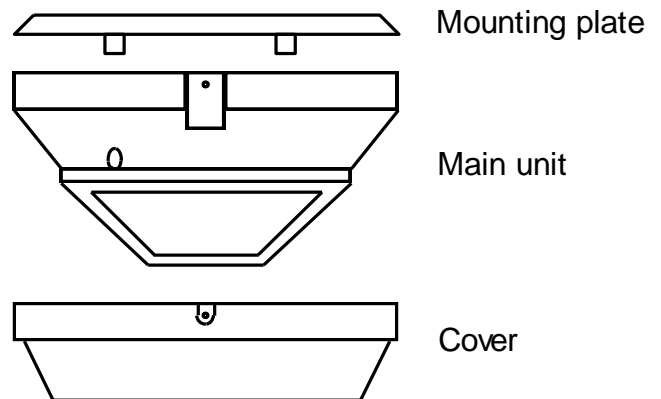
##### IR-360

Infrared sensor .....	Omni-directional, dual element
Power supply .....	9 ~ 16 VDC (12 V typical)
Alarm output .....	N.C/N.O, 28 VDC, 0.2A max.
Alarm period .....	3 ± 1 sec.
Alarm LED .....	Red, can be disabled
Current drain .....	14 mA, 12 VDC (stand by)
Mounting height .....	2.4 ~ 4.2m
Pulse count .....	2 - 4 selectable
Warm up time .....	Approx. 60 seconds (LED on)
Tamper switch .....	N.C cover open activates
RFI immunity .....	Ave. 25V/m (10~1000 MHz)
Temperature .....	-20°C ~ 60°C (-4°F ~ 140°F)
Humidity .....	95% RH max.
Dimensions .....	100x100x46mm (4.0x4.0x1.8")

*In order to continue improving its product, IR-TEC reserves the right to change specifications without prior notice.*

## Installation Instructions

#### DESCRIPTION

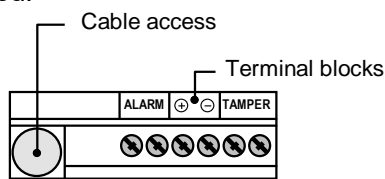


#### INSTALLATION HINTS

1. The Pyramid should be mounted on a firm section of ceiling and located for optimum coverage..
2. Do not install where the Pyramid is exposed to direct or mirror-reflected sunlight.
3. Make sure the detection area does not have obstruction which may block the detection zones.
4. Avoid running the alarm cable close to heavy duty electrical mains cable.
5. Avoid locating the Pyramid in areas which contain objects likely to produce a rapid change in temperature, such as heater, radiator, air conditioner, open flame...etc.

## INSTALLATION & WIRING

1. Loosen the cover locking screw, separate the cover and main unit. Release the fixing screws (2) to disassemble the main unit and mounting plate.
2. Fixing the mounting plate with screws (2) at selected location on the ceiling.
3. Strip the outer sleeve of alarm cable. Run the coded wires through the cable access and connect to the corresponding terminal blocks according to the following instructions.
4. Replace the cover and fasten the locking screws. Apply DC power supply, then walk test can be proceeded.



**TAMPER** : 24 hours N.C loop of control panel

⊕ ⊖ : 9 ~ 16 VDC power supply

**ALARM** : Zone loop of control panel (N.C / N.O)

## PULSE COUNT

The Pyramid features intelligent pulse count which can effectively prevent false alarms cause by environmental interference. The IPC of Pyramid can be set to count 2 or 4 pulses by placing the jumper head on the corresponding pins. Alarm signal will only be sent if the selected pulses are generated within delay period (about 20 seconds). The state-of-the-art IPC circuitry analyzes the difference of pulse width, so when a true motion is detected, the subsequent pulse signal will tide over the pulse setting and report an alarm immediately. The conventional pulse count detector could possibly miss an intrusion due to an inevitable time delay for verifying the number of pulse.

06/22/16' 058-36000-001 V2.0

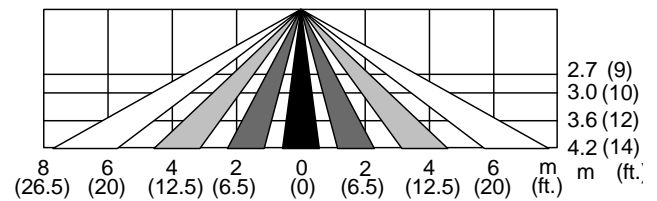
## WALK TEST

Once the detector has been set up, walk test the entire area where coverage is desire. Should the coverage be incomplete, re-adjust or relocate the detector to obtain full coverage. Once coverage is as required, the alarm LED may be disabled by pull off LED jumper head.

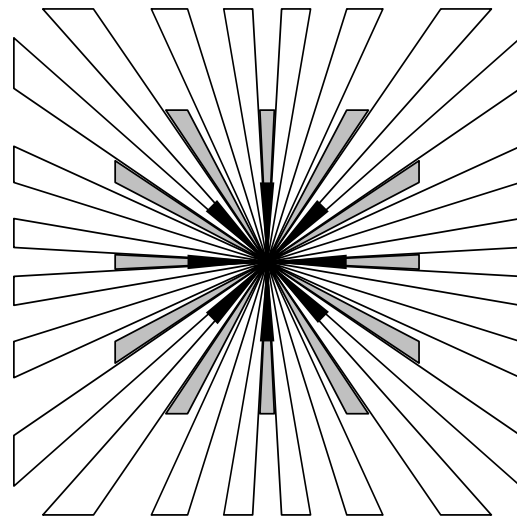
*Regular walk testing must be carried out, as part of your maintenance visits or at least once a year.)*

## DETECTION PATTERN

Side View



Top View



Max. Detection Range (at 25°C)

Mounting Height	m (ft.)	2.7 (9)	3.0 (10)	3.3 (11)	3.6 (12)
Detection Range		6 x 6 (20 x 20)	8 x 8 (26 x 26)	10 x 10 (33 x 33)	11 x 11 (36 x 36)