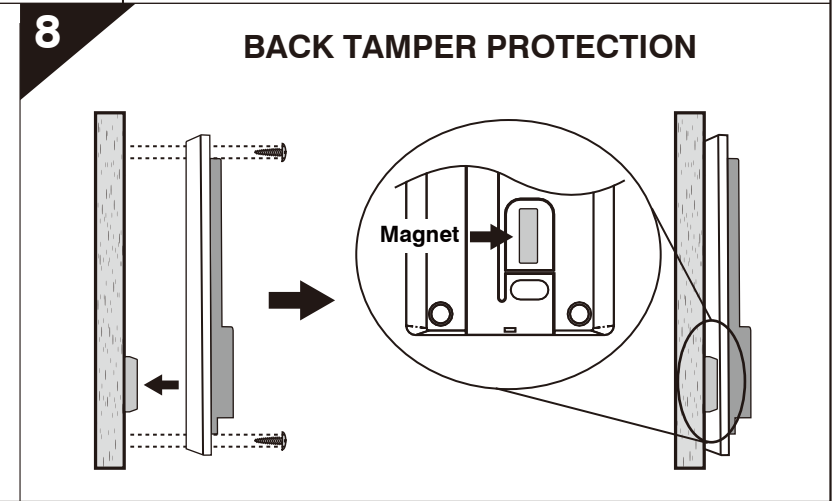
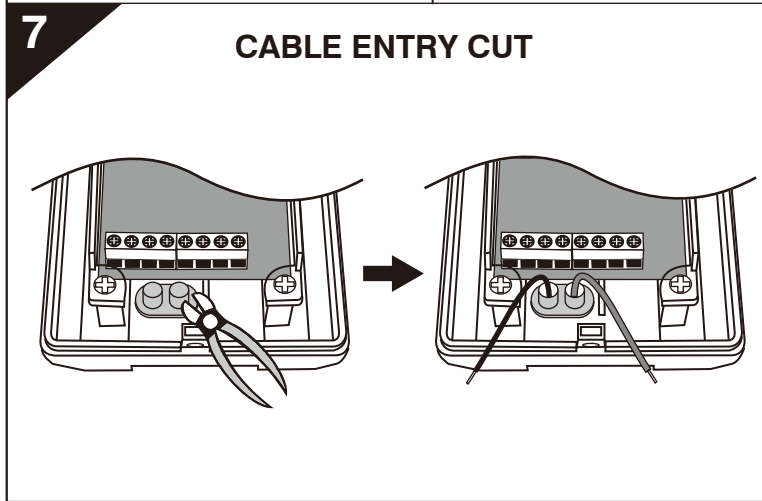
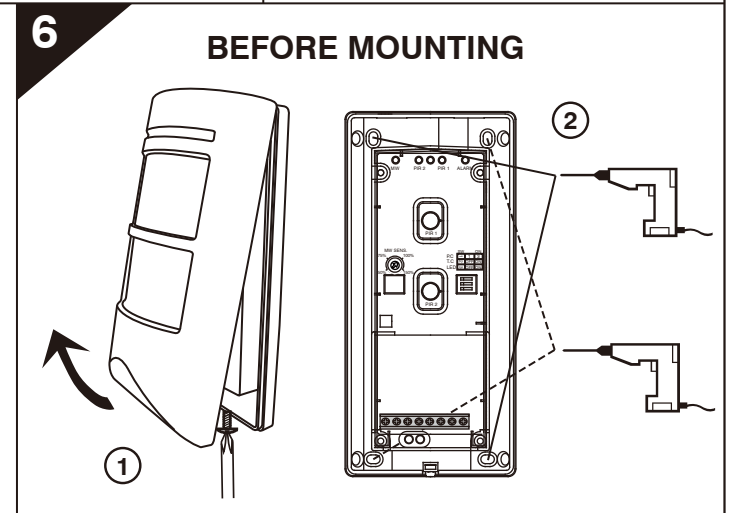
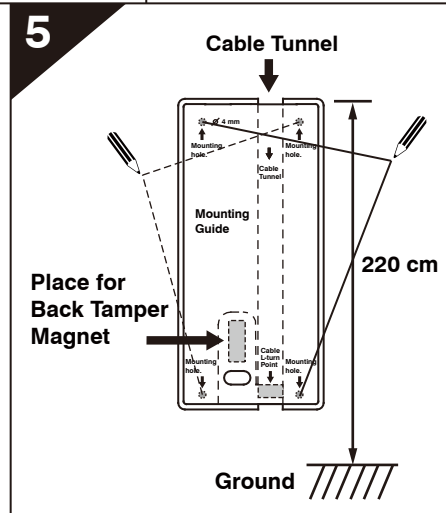
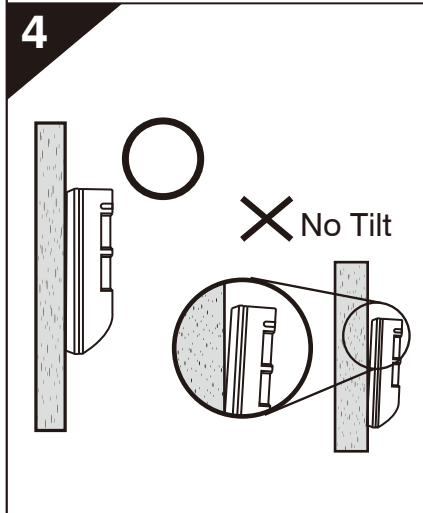
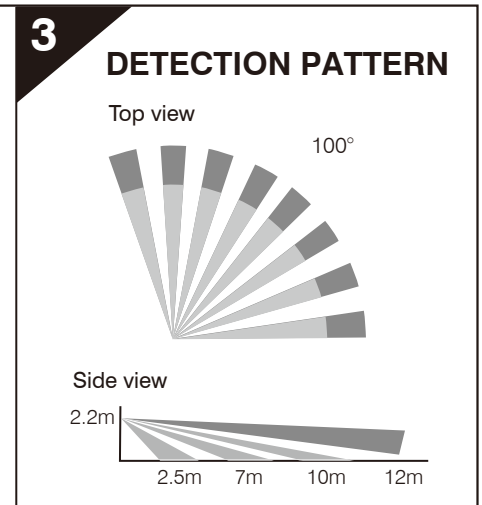
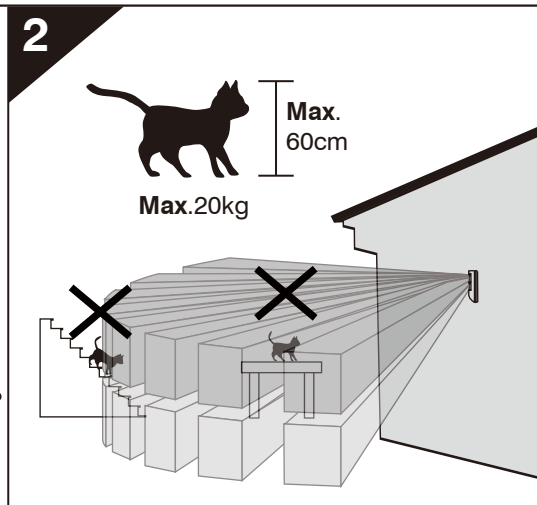
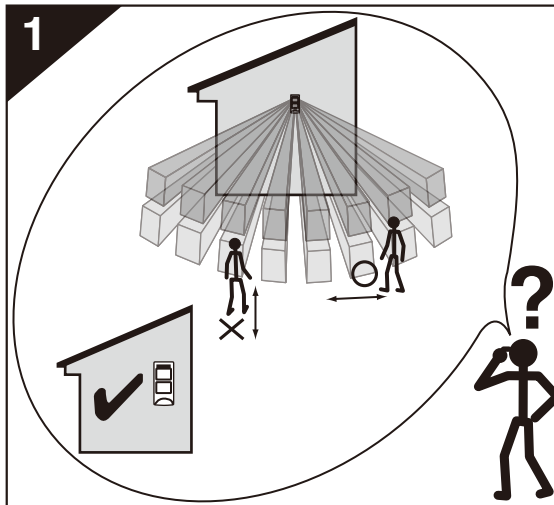
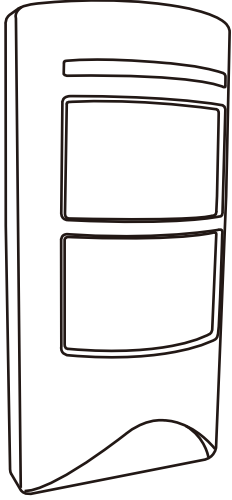




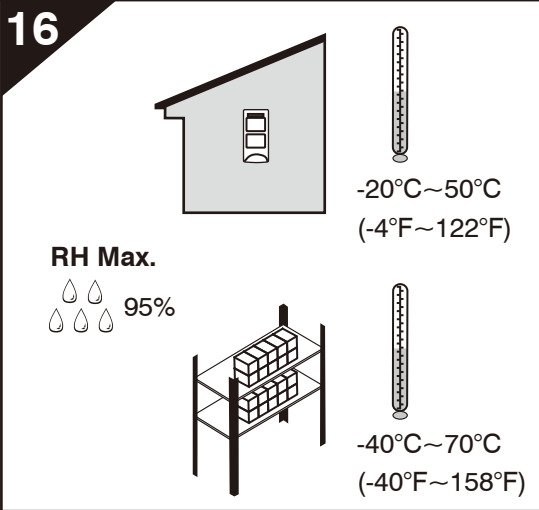
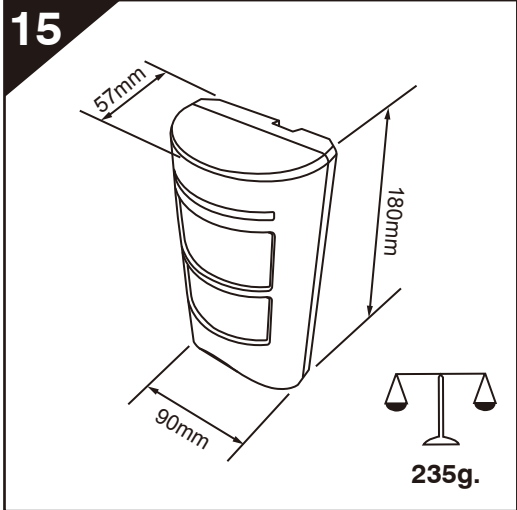
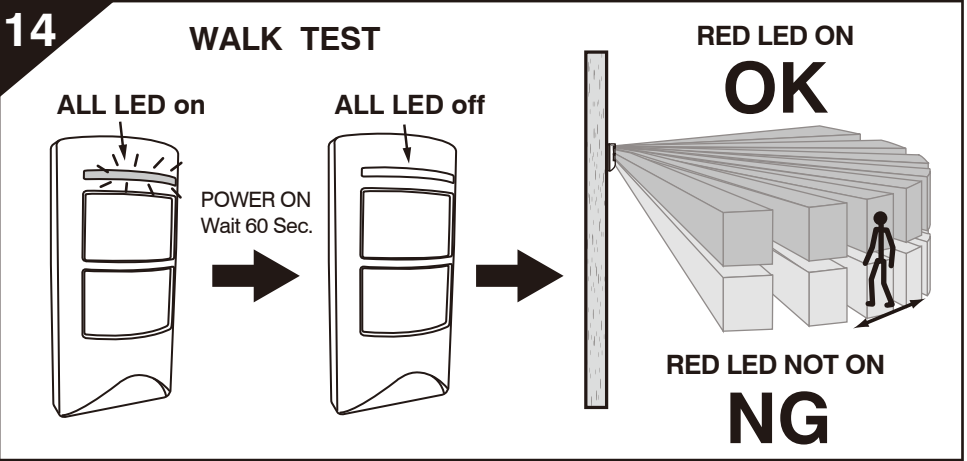
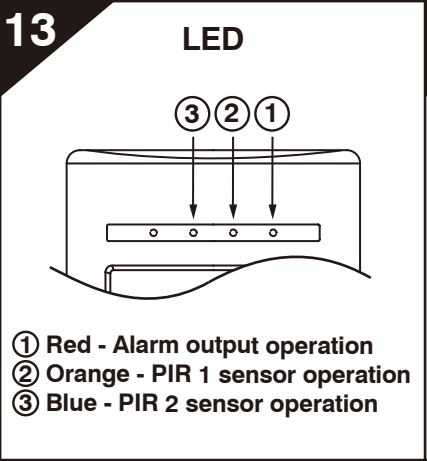
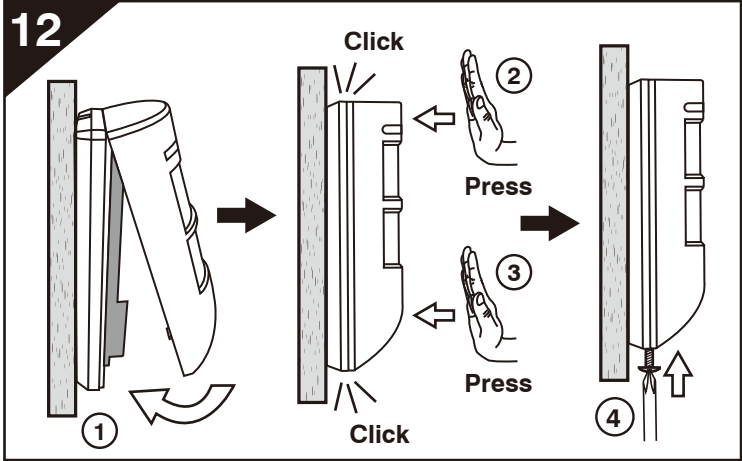
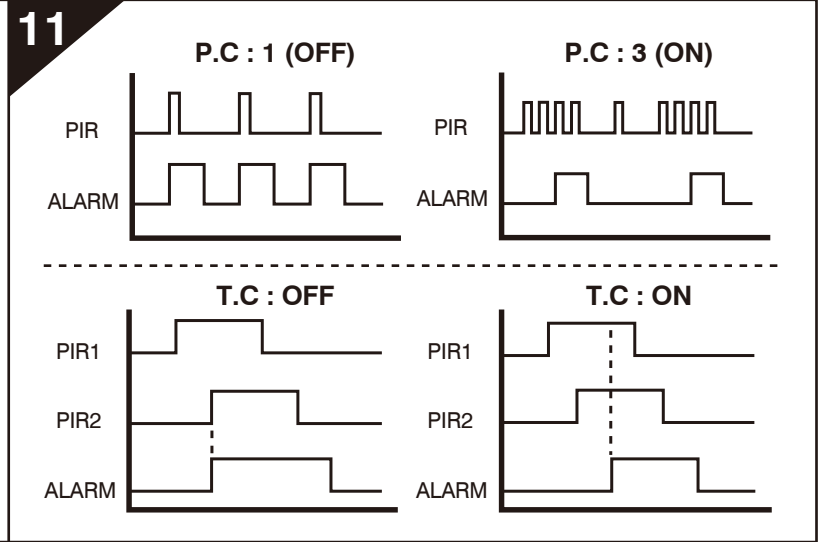
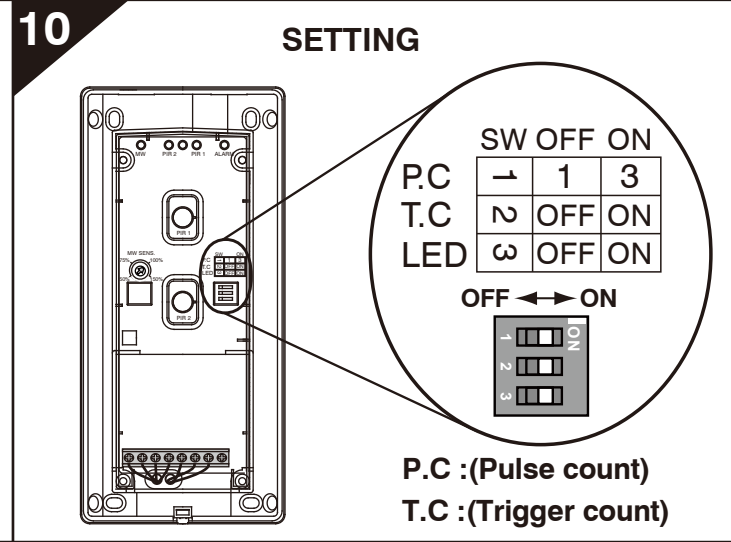
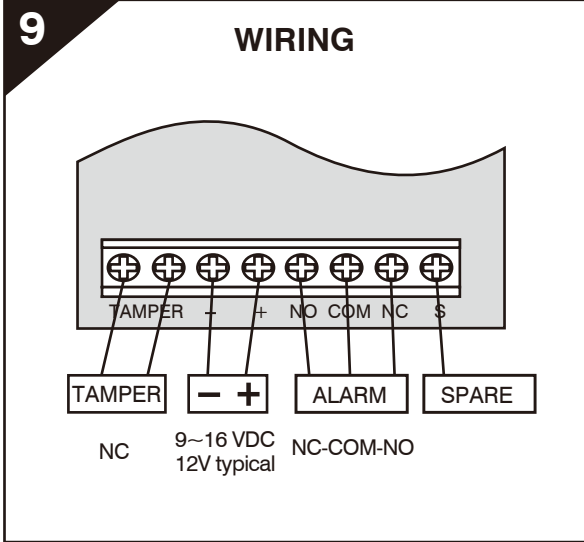
# Outdoor Passive Infrared Detector IR-680



Outdoor Passive Infrared Detector  
Im Freien passiver Infrarotdetektor  
Décteur infrarouge passif extérieur  
Detector infrarrojo pasivo al aire libre  
Openlucht Passieve Infrarode Detector  
戶外型紅外線偵測器

Installation instructions  
Montagevorschriften  
Instructions d'installation  
Instrucciones de instalación  
De instructies van de installatie  
安裝說明書

Thank you for selecting IR-TEC's IR680 Outdoor Passive Infrared Detector. This document provides easy-to-understand installation instructions. For more details about the operation of this product, please visit [www.irtec.com](http://www.irtec.com) or contact [sales@irtec.com](mailto:sales@irtec.com) by e-mail.



### SPECIFICATIONS

Infrared sensor	Dual element
Power supply	9 ~ 16 VDC, 12 VDC typical
Current drain	NC: 25 mA, NO: 15 mA @12VDC
Alarm output	From C 30VDC, 5A max.
Alarm period	2 ± 0.5 sec.
Pulse count	1 / 3 selectable
Trigger count	ON / OFF selectable
Detection range	100°, 12 x 12 m at 25°C
Tamper protection	N.C cover open or detector removal
Walk test LED	can be disabled
RFI immunity	Max. 40V/m (10~1000 MHz)
Detectable speed	0.3 ~ 3 m/sec.
Mounting height	2.2 m typical

**IR-TEC**  
IR-TEC International Ltd.  
www.irtec.com  
Ver 2.0 058-68002-002

IP54 CE

Printed in Taiwan